



# 50 Hz 4" Submersible Pumps

## MODEL GSZ

4GSZ, 6GSZ, 8GSZ,  
11GSZ, 16GSZ

### SPECIFICATIONS

| Model | KW Range  | Flow Range m <sup>3</sup> /hr. | Best Eff. m <sup>3</sup> /hr. | 1 1/4" Discharge |        | Minimum Well Dia. | Rotation ② |
|-------|-----------|--------------------------------|-------------------------------|------------------|--------|-------------------|------------|
|       |           |                                |                               | Std.             | Opt. ① |                   |            |
| 4GSZ  | .37 – 1.1 | .25 – 1.50                     | .9                            | NPT              | BSPP   | 4"                | CCW        |
| 6GSZ  | .37 – 1.5 | .30 – 2.0                      | 1.35                          | NPT              | BSPP   | 4"                | CCW        |
| 8GSZ  | .37 – 1.1 | .50 – 2.7                      | 1.8                           | NPT              | BSPP   | 4"                | CCW        |
| 11GSZ | .37 – 2.2 | .75 – 4.0                      | 2.5                           | NPT              | BSPP   | 4"                | CCW        |
| 16GSZ | .55 – 4.0 | 1.0 – 5.8                      | 3.5                           | NPT              | BSPP   | 4"                | CCW        |

① To order with a 1 1/4" BSPP thread add a "M" suffix to order no.  
② Rotation is counterclockwise when observed from pump discharge end.

### "GSZ" SERIES MATERIALS OF CONSTRUCTION

| Part Name                     | Material                          |
|-------------------------------|-----------------------------------|
| Discharge Head                | AISI 303 SS                       |
| Check Valve Poppet            | AISI 304 SS                       |
| Check Valve Seal              | BUNA, FDA compliant               |
| Check Valve Seat              | AISI 304 SS                       |
| Check Valve Retaining Ring    | AISI 302 SS                       |
| Bearing Spider – Upper        | Glass Filled Engineered Composite |
| Bearing                       | Urethane, FDA compliant           |
| Klipring                      | AISI 301 SS                       |
| Diffuser                      | Glass Filled Engineered Composite |
| Impeller                      | Glass Filled Engineered Composite |
| Bowl                          | AISI 304 SS                       |
| Intermediate Sleeve ①         | AISI 304 SS, Powder Metal         |
| Intermediate Shaft Coupling ② | AISI 304 SS, Powder Metal         |
| Intermediate Bearing Spider ① | Glass Filled Engineered Composite |
| Intermediate Bearing Spider ② | AISI 303 SS                       |
| Bearing                       | Urethane, FDA compliant           |
| Shim                          | AISI 304 SS                       |
| Spacer                        | AISI 304 SS, Powder Metal         |
| Screws – Cable Guard          | AISI 304 SS                       |
| Motor Adapter                 | AISI 303 SS                       |
| Casing                        | AISI 304 SS                       |
| Shaft                         |                                   |
| Coupling                      | AISI 304 SS, Powder Metal         |
| Cable Guard                   | AISI 304 SS                       |

① Used on pumps with 27 to 32 stages.  
② Used on pumps with more than 33 stages.

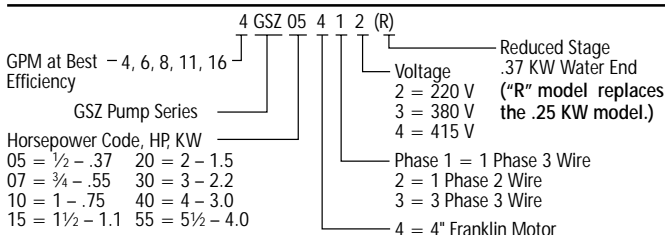
### FEATURES

- **Powered for Continuous Operation:** All ratings are within the working limits of the motor as recommended by the motor manufacturer. Pump can be operated continuously without damage to the motor.
- **Field Serviceable:** Pump can be rebuilt in the field to like new condition with common tools and readily available spare parts.
- NOTE: The Model GSZ has left hand casing threads.**
- **Sand Resistant Construction:** Field proven over almost four decades, face clearance design and floating impellers for an extremely abrasion resistant configuration.
- **Stainless Steel Metal Parts:** AISI types 302, 303 and 304 are corrosion resistant, non-toxic and non-leaching.
- **FDA Compliant Non-Metallic Parts:** Impellers, diffusers and bearing spiders are

- constructed of a glass filled engineered composite. This material is corrosion resistant and non-toxic.
- **Discharge Head:** Precision cast 303 stainless steel for superior strength and durability. Cast in loop for safety line.
- **Motor Adapter:** Precision cast 303 stainless steel is extremely rigid for accurate alignment of liquid end to motor. Generous space for removal of motor mounting nuts with regular open-end wrench.
- **Bowls:** Stainless steel for strength and abrasive resistance.
- **Check Valve:** Built in check valve constructed of stainless steel and low compression, FDA compliant, BUNA rubber for excellent abrasive resistance and quiet, efficient operation.
- **Stainless Steel Casing:** Polished stainless steel is attractive and durable in the most corrosive water.
- **Hex Shaft Design:** Six sided shafts for positive impeller drive.

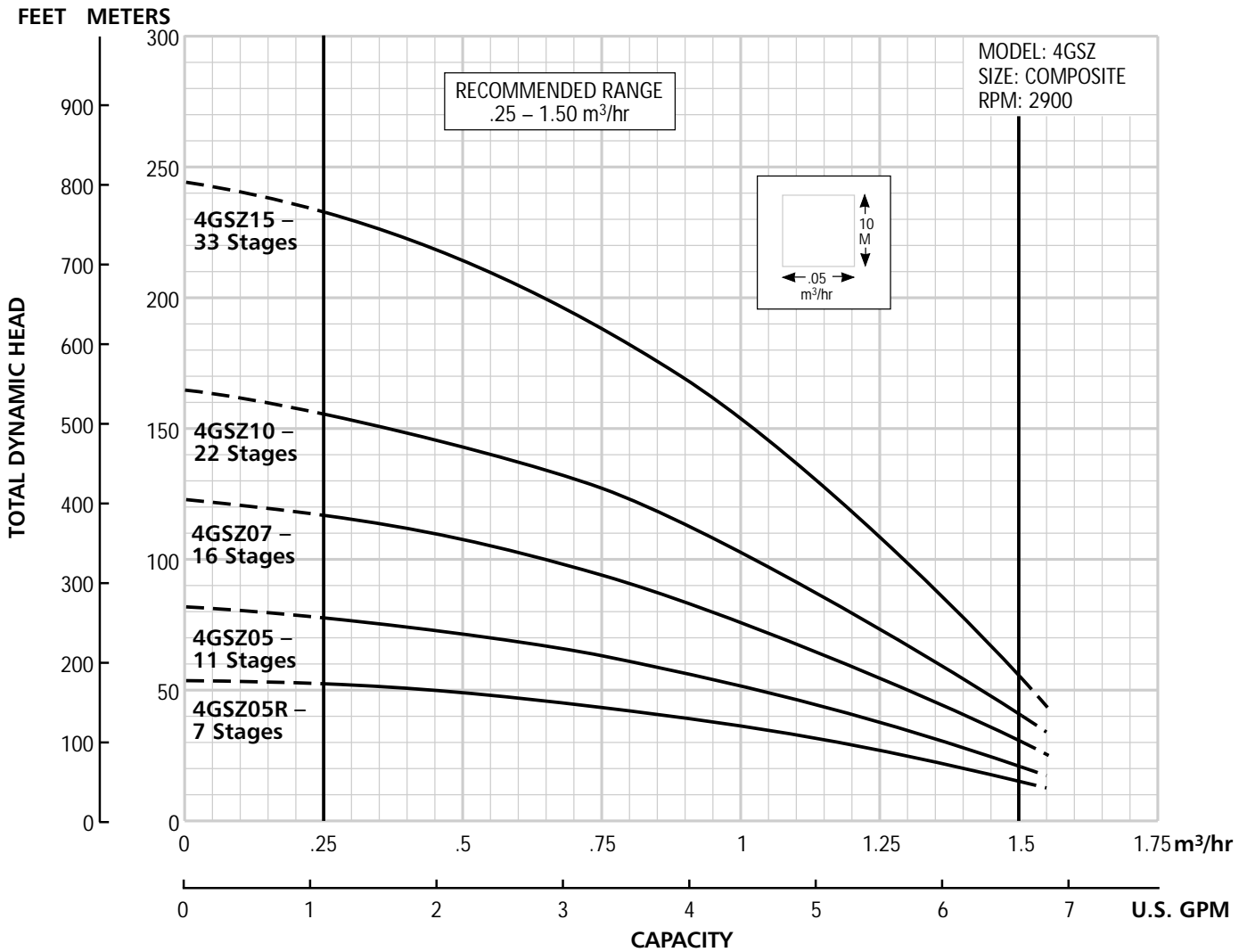
- **Shaft Coupling:** Exposed for ease of field alignment to motor shaft and to check pump rotation.
- **Urethane Upper and Middle Bearings:** Fluted design for free passage of abrasives and excellent resistance to sand damage.
- **Franklin Electric Motor:**
  - Corrosion resistant stainless steel construction through 1.5 KW, stainless steel casing with nickel plated gray iron end bells on motors over 1.5 KW.
  - Built-in surge arrestor is provided on single phase motors through 4 KW.
  - Stainless steel splined shaft.
  - Hermetically sealed windings.
  - Replaceable motor lead assembly.
  - UL 778 recognized.
  - NEMA mounting dimensions.
  - Control box is required with 3 wire single phase units.
  - Three phase units require a magnetic starter with three leg protection. Magnetic starter and heaters must be ordered separately.

### ORDER NUMBER CODE



Goolds Pumps

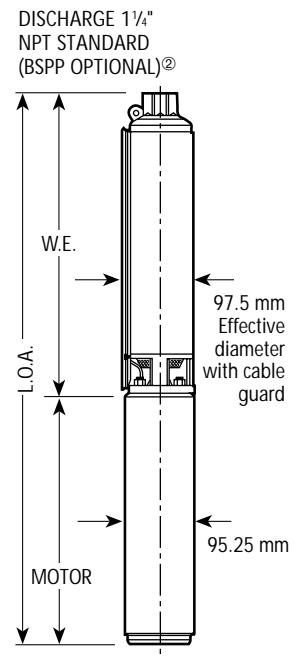


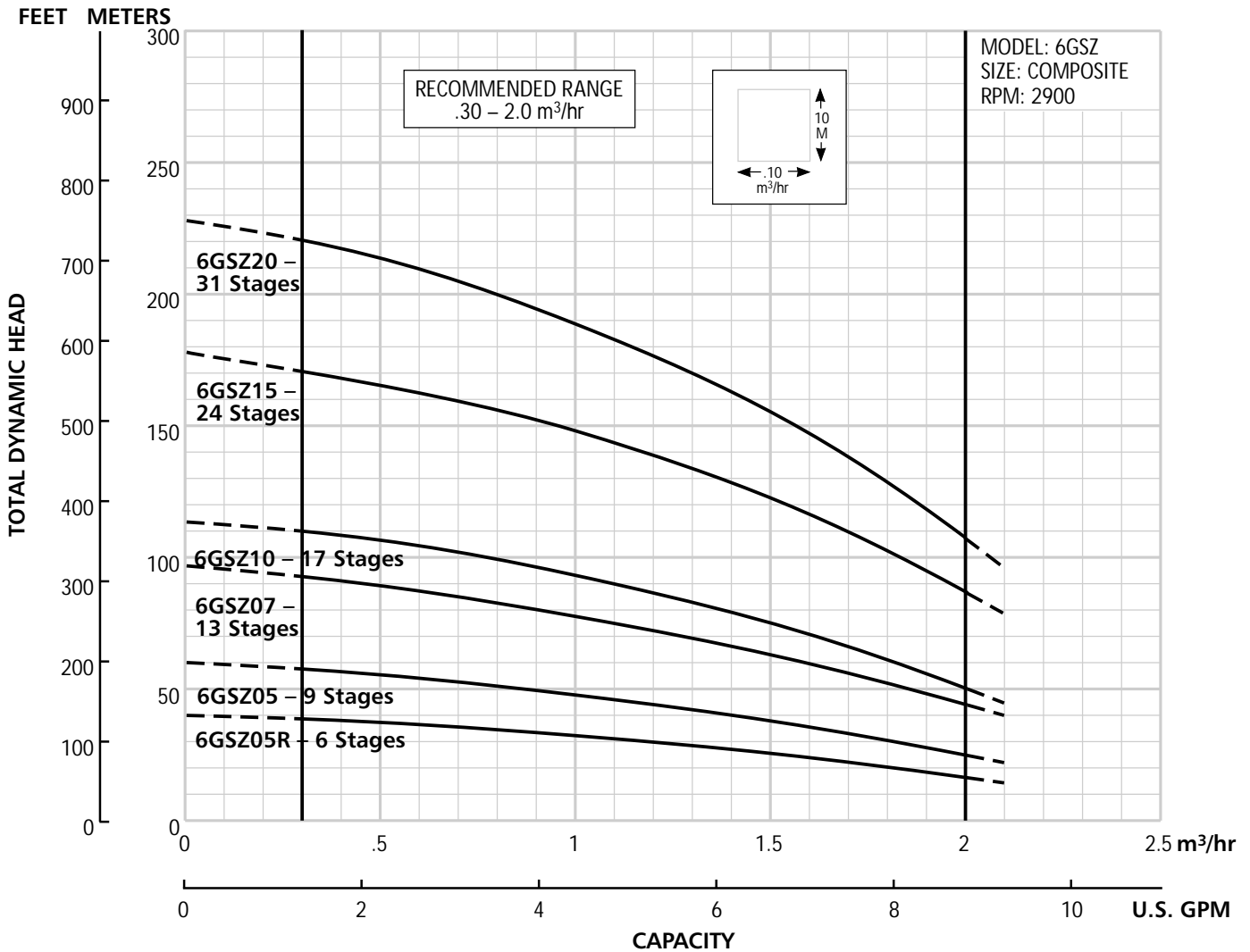


## DIMENSIONS AND WEIGHTS

| Model <sup>①</sup> | KW  | HP | Phase | Stages | Volts | Length (MM) |       |        | Weight (KG) |       |       |
|--------------------|-----|----|-------|--------|-------|-------------|-------|--------|-------------|-------|-------|
|                    |     |    |       |        |       | W.E.        | Motor | L.O.A. | W.E.        | Motor | Total |
| 4GSZ05412R         | .37 | ½  | 3     | 7      | 220   | 259         | 242   | 501    | 2.9         | 8.1   | 11.0  |
| 4GSZ05433R         |     |    |       |        | 380   | 259         | 223   | 482    | 2.9         | 7.2   | 10.1  |
| 4GSZ05412          | .37 | ½  | 3     | 11     | 220   | 311         | 242   | 553    | 3.5         | 8.1   | 11.6  |
| 4GSZ05433          |     |    |       |        | 380   | 311         | 223   | 534    | 3.5         | 7.2   | 10.7  |
| 4GSZ07412          | .55 | ¾  | 3     | 16     | 220   | 385         | 271   | 656    | 4.2         | 9.5   | 13.7  |
| 4GSZ07433          |     |    |       |        | 380   | 385         | 242   | 627    | 4.2         | 8.1   | 12.3  |
| 4GSZ10412          | .75 | 1  | 3     | 22     | 220   | 361         | 299   | 660    | 4.8         | 10.9  | 15.7  |
| 4GSZ10433          |     |    |       |        | 380   | 361         | 271   | 632    | 4.8         | 9.5   | 14.3  |
| 4GSZ15412          | 1.1 | 1½ | 3     | 33     | 220   | 641         | 346   | 987    | 6.9         | 13.1  | 20.0  |
| 4GSZ15433          |     |    |       |        | 380   | 641         | 299   | 940    | 6.9         | 10.9  | 17.8  |

① 220 V and 415 V three phase available. To order replace 3 with a 2 for 220 V or a 4 for a 415 V.  
 ② Use a "M" suffix to order a BSPP metric discharge head.



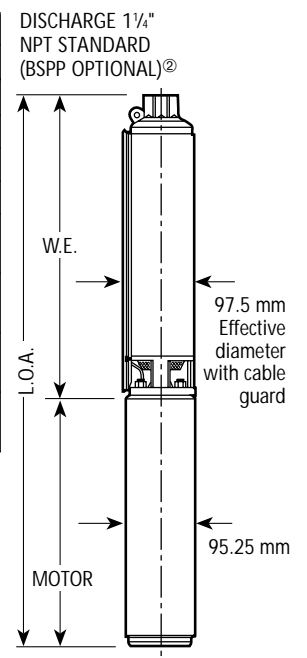


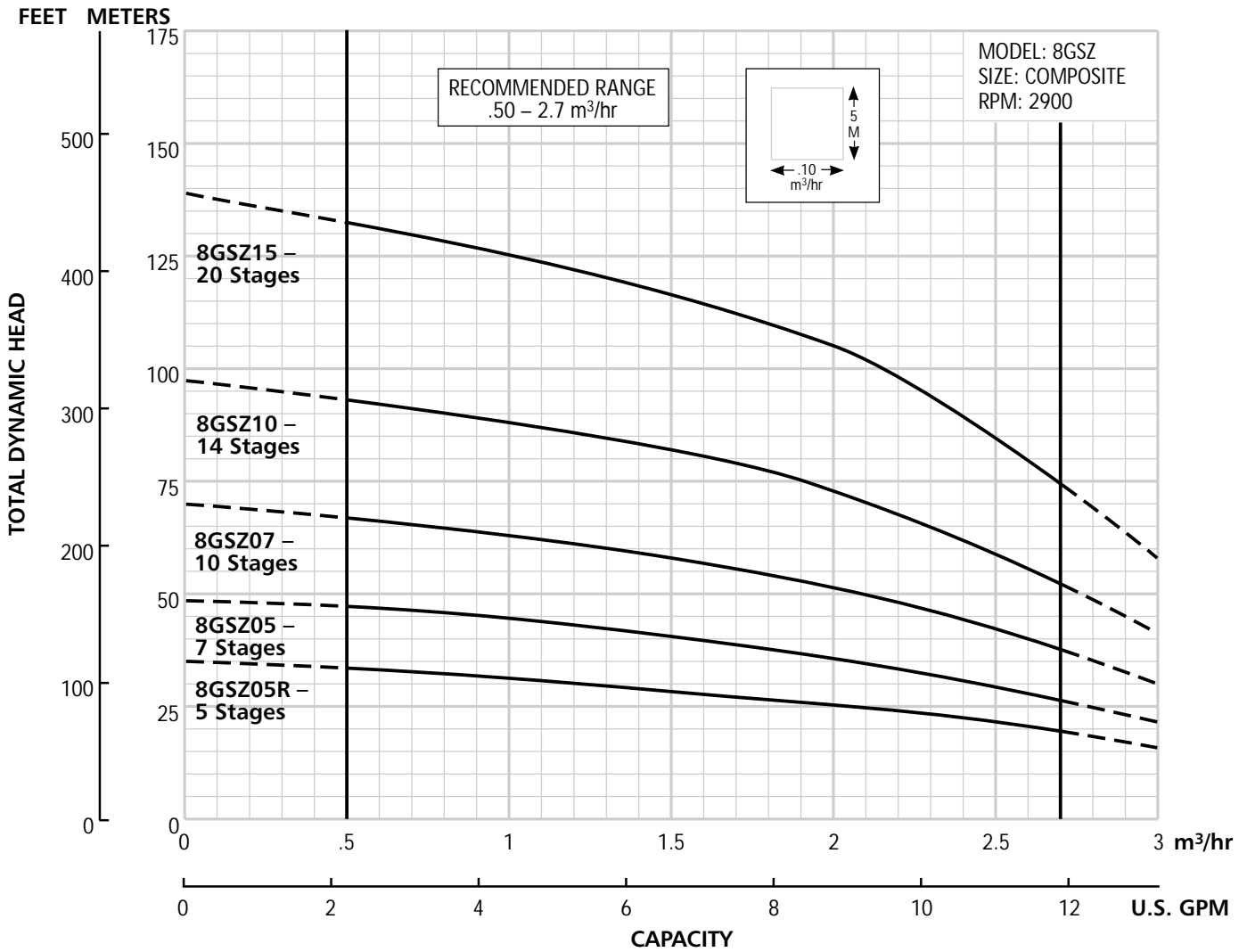
## DIMENSIONS AND WEIGHTS

| Model <sup>①</sup> | KW  | HP | Phase | Stages | Volts | Length (MM) |       |        | Weight (KG) |       |       |
|--------------------|-----|----|-------|--------|-------|-------------|-------|--------|-------------|-------|-------|
|                    |     |    |       |        |       | W.E.        | Motor | L.O.A. | W.E.        | Motor | Total |
| 6GSZ05412R         | .37 | ½  | 1     | 6      | 220   | 264         | 242   | 506    | 2.6         | 8.1   | 10.7  |
| 6GSZ05433R         | .37 | ½  | 3     | 6      | 380   | 264         | 223   | 487    | 2.6         | 7.2   | 9.8   |
| 6GSZ05412          | .37 | ½  | 1     | 9      | 220   | 320         | 242   | 562    | 3.1         | 8.1   | 11.2  |
| 6GSZ05433          | .37 | ½  | 3     | 9      | 380   | 320         | 223   | 543    | 3.1         | 7.2   | 10.3  |
| 6GSZ07412          | .55 | ¾  | 1     | 13     | 220   | 392         | 271   | 663    | 3.7         | 9.5   | 13.2  |
| 6GSZ07433          |     |    | 3     |        | 380   | 392         | 242   | 634    | 3.7         | 8.1   | 11.8  |
| 6GSZ10412          | .75 | 1  | 1     | 17     | 220   | 465         | 299   | 764    | 4.4         | 10.9  | 15.3  |
| 6GSZ10433          |     |    | 3     |        | 380   | 465         | 271   | 736    | 4.4         | 9.5   | 13.9  |
| 6GSZ15412          | 1.1 | 1½ | 1     | 24     | 220   | 592         | 346   | 938    | 5.6         | 13.1  | 18.7  |
| 6GSZ15433          |     |    | 3     |        | 380   | 592         | 299   | 891    | 5.6         | 10.9  | 16.5  |
| 6GSZ20412          | 1.5 | 2  | 1     | 31     | 220   | 749         | 384   | 1133   | 6.8         | 14.5  | 21.3  |
| 6GSZ20433          |     |    | 3     |        | 380   | 749         | 346   | 1095   | 6.8         | 13.1  | 19.9  |

① 220 V and 415 V three phase available. To order replace 3 with a 2 for 220 V or a 4 for a 415 V.

② Use a "M" suffix to order a BSPP metric discharge head.

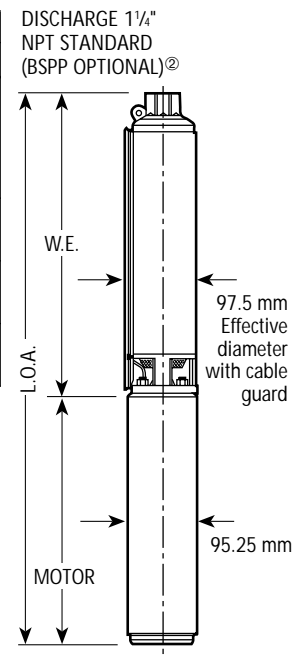


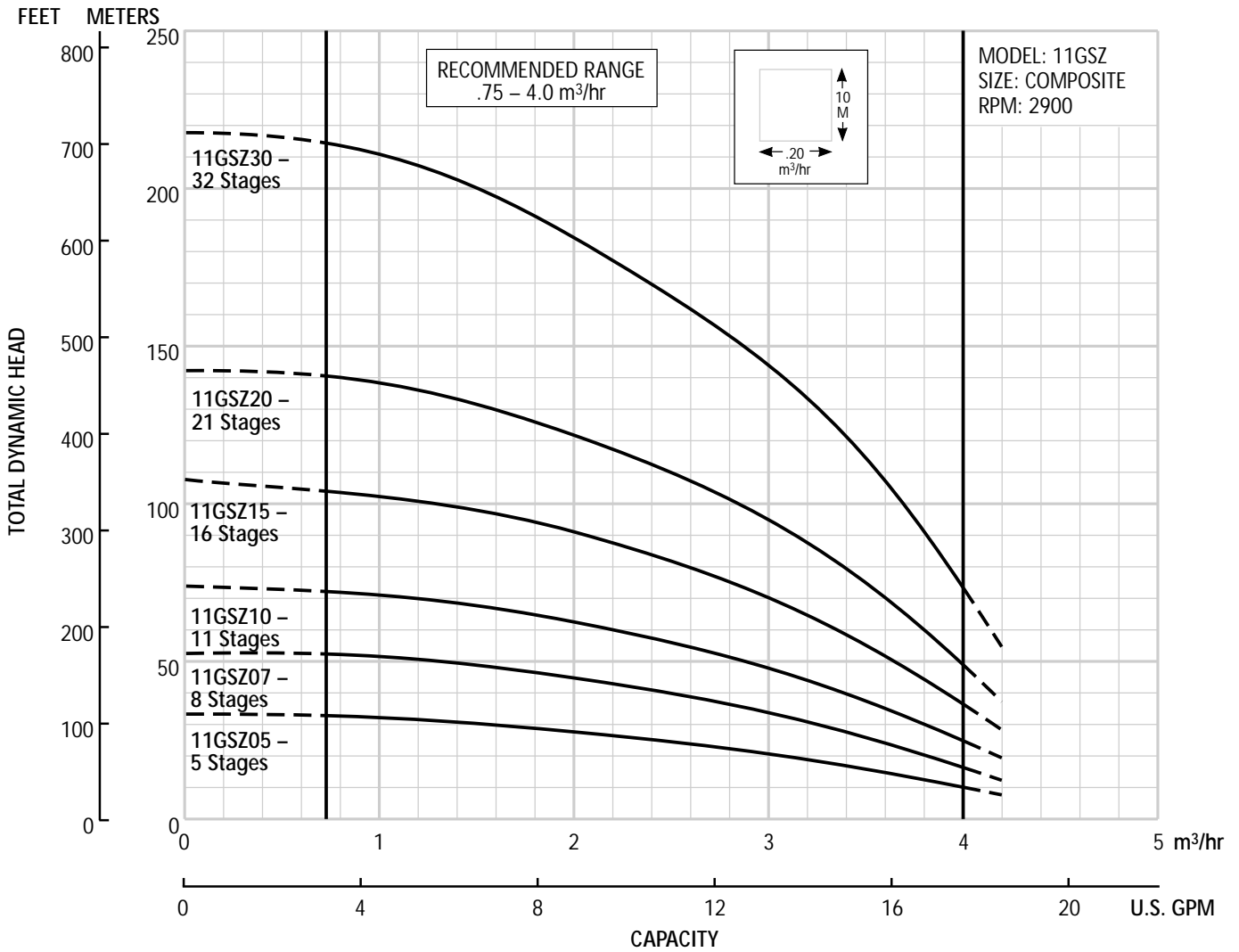


## DIMENSIONS AND WEIGHTS

| Model <sup>①</sup> | KW  | HP    | Phase | Stages | Volts | Length (MM) |       |        | Weight (KG) |       |       |
|--------------------|-----|-------|-------|--------|-------|-------------|-------|--------|-------------|-------|-------|
|                    |     |       |       |        |       | W.E.        | Motor | L.O.A. | W.E.        | Motor | Total |
| 8GSZ05412R         | .37 | 1/2   | 1     | 5      | 220   | 244         | 242   | 486    | 2.4         | 8.1   | 10.5  |
| 8GSZ05433R         |     |       |       |        | 380   | 244         | 223   | 467    | 2.4         | 7.2   | 9.6   |
| 8GSZ05412          |     |       | 7     | 220    | 279   | 242         | 521   | 2.7    | 8.1         | 10.8  |       |
| 8GSZ05433          |     |       |       | 380    | 279   | 223         | 502   | 2.7    | 7.2         | 9.9   |       |
| 8GSZ07412          | .55 | 3/4   | 1     | 10     | 220   | 332         | 271   | 603    | 3.3         | 9.5   | 12.8  |
| 8GSZ07433          |     |       |       |        | 380   | 332         | 242   | 574    | 3.3         | 8.1   | 11.4  |
| 8GSZ10412          | .75 | 1     | 1     | 14     | 220   | 402         | 299   | 701    | 4.0         | 10.9  | 14.9  |
| 8GSZ10433          |     |       |       |        | 380   | 402         | 271   | 673    | 4.0         | 9.5   | 13.5  |
| 8GSZ15412          | 1.1 | 1 1/2 | 1     | 20     | 220   | 507         | 346   | 853    | 5.1         | 13.1  | 18.2  |
| 8GSZ15433          |     |       |       |        | 380   | 507         | 299   | 806    | 5.1         | 10.9  | 16.0  |

① 220 V and 415 V three phase available. To order replace 3 with a 2 for 220 V or a 4 for a 415 V.  
 ② Use a "M" suffix to order a BSPP metric discharge head.

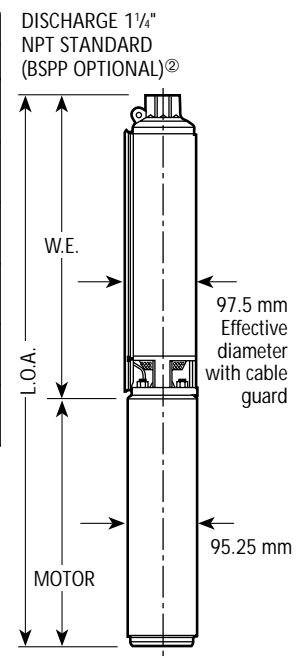


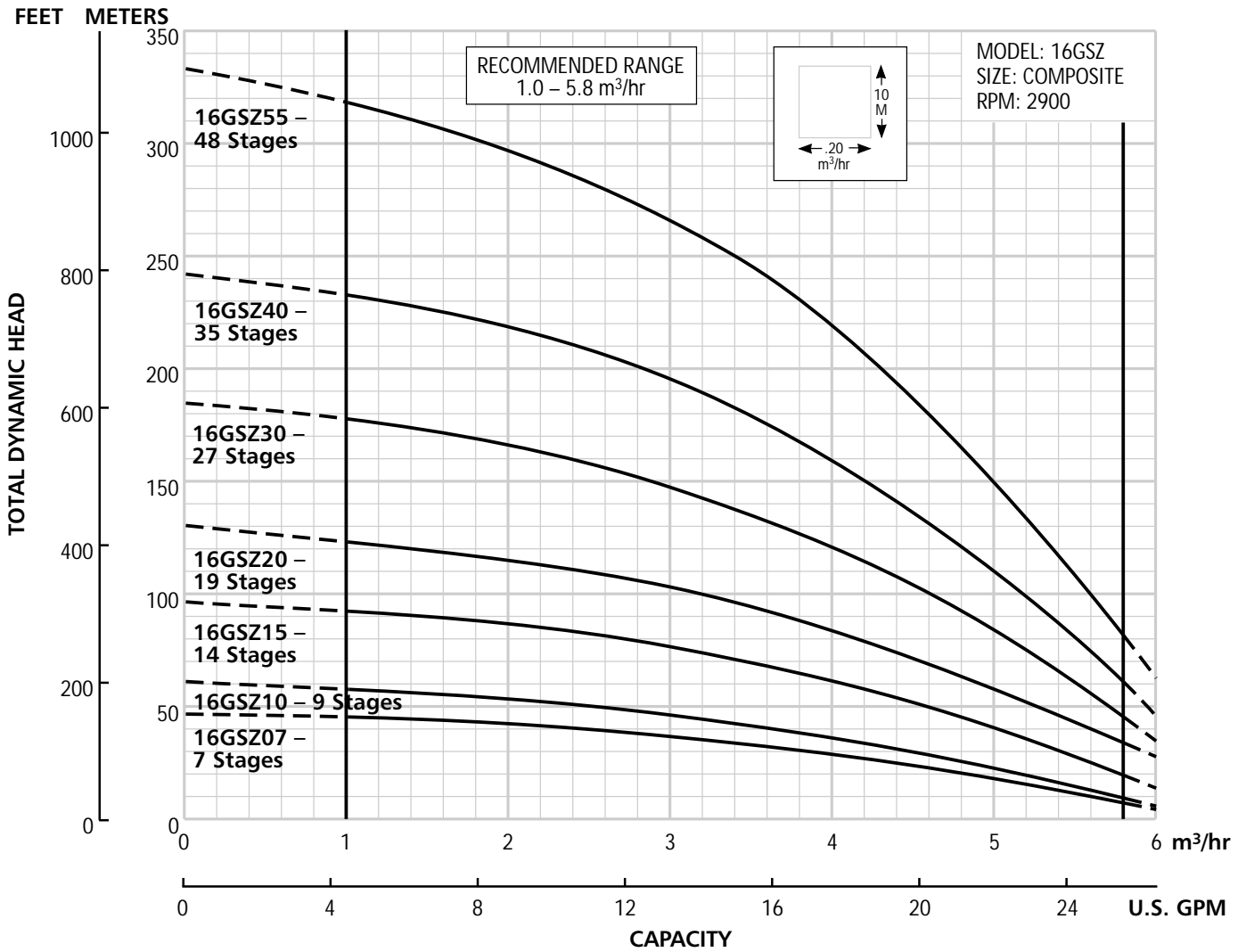


## DIMENSIONS AND WEIGHTS

| Model <sup>①</sup> | KW  | HP    | Phase | Stages | Volts | Length (MM) |       |        | Weight (KG) |       |       |
|--------------------|-----|-------|-------|--------|-------|-------------|-------|--------|-------------|-------|-------|
|                    |     |       |       |        |       | W.E.        | Motor | L.O.A. | W.E.        | Motor | Total |
| 11GSZ05412         | .37 | 1/2   | 1     | 5      | 220   | 244         | 242   | 486    | 2.4         | 8.1   | 10.5  |
| 11GSZ05433         | .37 | 1/2   | 3     |        | 380   | 244         | 223   | 467    | 2.4         | 7.2   | 9.6   |
| 11GSZ07412         | .55 | 3/4   | 1     | 8      | 220   | 297         | 271   | 568    | 3.0         | 9.5   | 12.5  |
| 11GSZ07433         |     |       | 3     |        | 380   | 297         | 242   | 539    | 3.0         | 8.1   | 11.1  |
| 11GSZ10412         | .75 | 1     | 1     | 11     | 220   | 349         | 299   | 648    | 3.5         | 10.9  | 17.9  |
| 11GSZ10433         |     |       | 3     |        | 380   | 349         | 271   | 620    | 3.5         | 9.5   | 13.0  |
| 11GSZ15412         | 1.1 | 1 1/2 | 1     | 16     | 220   | 437         | 346   | 783    | 4.3         | 13.1  | 17.4  |
| 11GSZ15433         |     |       | 3     |        | 380   | 437         | 299   | 736    | 4.3         | 10.9  | 15.2  |
| 11GSZ20412         | 1.5 | 2     | 1     | 21     | 220   | 554         | 384   | 938    | 5.4         | 14.5  | 19.9  |
| 11GSZ20433         |     |       | 3     |        | 380   | 554         | 346   | 900    | 5.4         | 13.1  | 18.5  |
| 11GSZ30412         | 2.2 | 3     | 1     | 32     | 220   | 717         | 600   | 1317   | 7.1         | 25.0  | 32.1  |
| 11GSZ30433         |     |       | 3     |        | 380   | 717         | 524   | 1241   | 7.1         | 20.0  | 27.1  |

① 220 V and 415 V three phase available. To order replace 3 with a 2 for 220 V or a 4 for a 415 V.  
 ② Use a "M" suffix to order a BSPP metric discharge head.

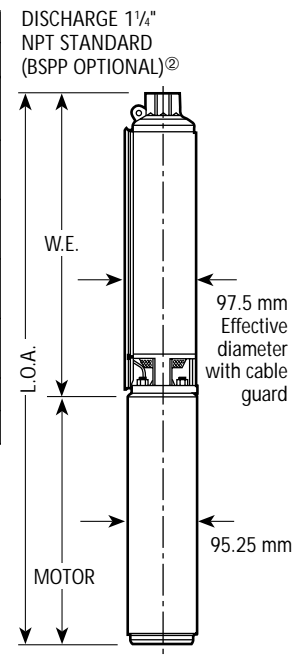




## DIMENSIONS AND WEIGHTS

| Model <sup>①</sup> | KW  | HP | Phase | Stages | Volts | Length (MM) |       |        | Weight (KG) |       |       |
|--------------------|-----|----|-------|--------|-------|-------------|-------|--------|-------------|-------|-------|
|                    |     |    |       |        |       | W.E.        | Motor | L.O.A. | W.E.        | Motor | Total |
| 16GSZ07412         | .55 | ¾  | 1     | 7      | 220   | 308         | 271   | 579    | 2.9         | 9.5   | 12.4  |
| 380                |     |    |       |        | 308   | 242         | 550   | 2.9    | 8.1         | 11.0  |       |
| 16GSZ10412         | .75 | 1  | 1     | 9      | 220   | 351         | 299   | 650    | 3.2         | 10.9  | 14.1  |
| 380                |     |    |       |        | 351   | 271         | 622   | 3.2    | 9.5         | 12.7  |       |
| 16GSZ15412         | 1.1 | 1½ | 1     | 14     | 220   | 460         | 346   | 806    | 4.2         | 13.1  | 17.3  |
| 380                |     |    |       |        | 460   | 299         | 759   | 4.2    | 10.9        | 15.1  |       |
| 16GSZ20412         | 1.5 | 2  | 1     | 19     | 220   | 568         | 384   | 952    | 5.0         | 14.5  | 19.5  |
| 380                |     |    |       |        | 568   | 346         | 914   | 5.0    | 13.1        | 18.1  |       |
| 16GSZ30412         | 2.2 | 3  | 1     | 27     | 220   | 771         | 600   | 1371   | 6.8         | 25.0  | 31.8  |
| 380                |     |    |       |        | 771   | 524         | 1295  | 6.8    | 20.0        | 26.8  |       |
| 16GSZ40433         | 3.0 | 4  | 3     | 35     | 380   | 944         | 600   | 1544   | 8.3         | 25.0  | 33.3  |
| 16GSZ55433         | 4.0 | 5  | 3     | 48     | 380   | 1226        | 660   | 1886   | 10.7        | 27.2  | 37.9  |

① 220 V and 415 V three phase available. To order replace 3 with a 2 for 220 V or a 4 for a 415 V.  
 ② Use a "M" suffix to order a BSPP metric discharge head.



# Notes

---

