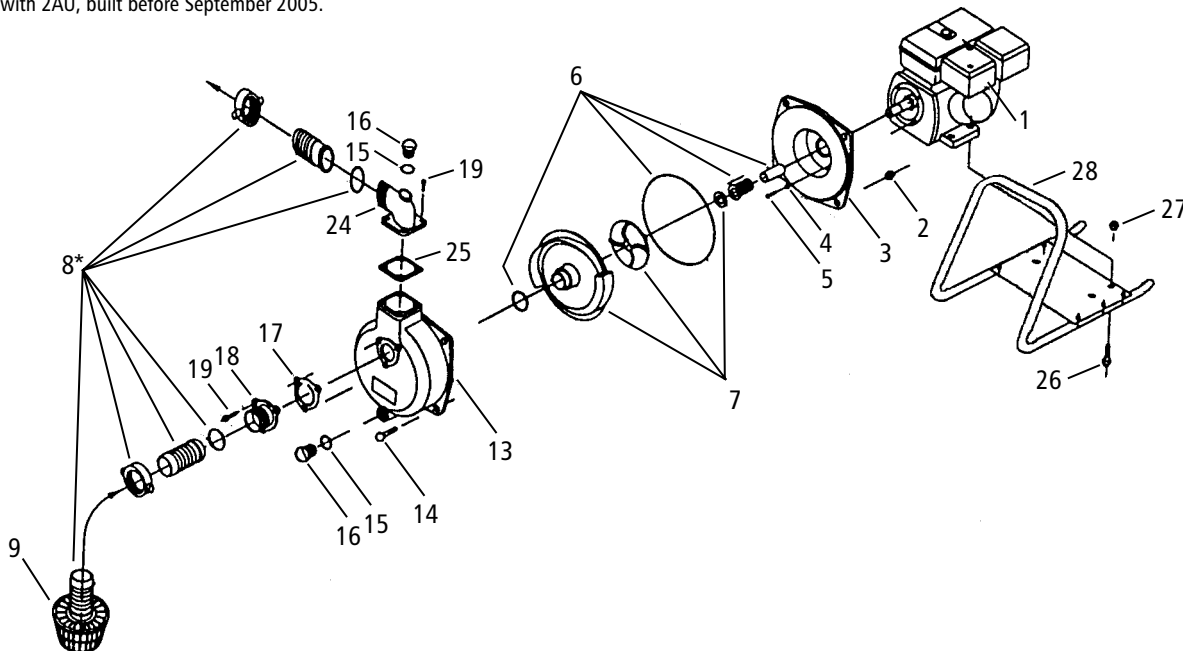


Item	Part Description	Before	After	Part No. 3"	Quantity
		SN-J051171U	SN-J051171U		
1	Engine – 3½ HP	16K1			1
	Engine – 5 HP	16K2			
2	Locknut – ¾" – 16	16K3			4
3	Engine adapter	16K4			1
4	Aluminum washer – 5/16"	16K5			4
5	Bolt – 5/16" – 24 x ¾"	16K6			4
6	Seal assembly	16K7			1
	Shaft sleeve				1
	O-ring housing				1
	O-ring volute				1
7	Impeller	16K8		16K9	1
	Volute				
	Impeller shim: 010, 020, 030				
8	Hose mounting nipple	16K10*	NA	-	2
	Hose mounting nut				2
	Hose mounting gasket				2
	Suction strainer				16K11
9	Suction strainer	16K71			1
13	Pump housing	16K12		16K13	1
14	Bolt – ¾" – 16 x 1½"	16K14			4
15	O-ring, drain/filler plug	16K15		16K16	2
16	Drain/fill plug	16K17		16K18	2
17	Flapper valve	16K19		16K20	1
18	Suction flange	16K21* (BSP)	16K128 (NPT)	16K22	1
19	Bolt – 5/16" – 18" x 7/8"	16K23		16K24	7
24	Discharge elbow	16K25* (BSP)	16K129 (NPT)	16K26	1
25	Discharge gasket	16K27		16K28	1
26	Bolt – 5/16" – 18" x 1½"	16K29			4
27	Lock nut – 5/16" – 18	16K30			4
28	Cradle assembly	16K31			1

* Supplied with 2AU, built before September 2005.



Goolds Pumps is a brand of ITT Water Technology, Inc. - a subsidiary of ITT Industries, Inc.

Goolds Pumps and the ITT Engineered Blocks Symbol are registered trademarks and trade-names of ITT Industries.