

**Variable Speed
Constant Pressure Systems**

PRODUCT OVERVIEW

The AquaBoost II pump controller and complete booster package kits provide an economical answer for municipal water district customers with low water pressure. Both domestic and light commercial applications can benefit. As water use increases, the AquaBoost II changes pump speed to maintain pressure. Large supply tanks are eliminated and up to 50% of the energy required by a full speed pump is saved.

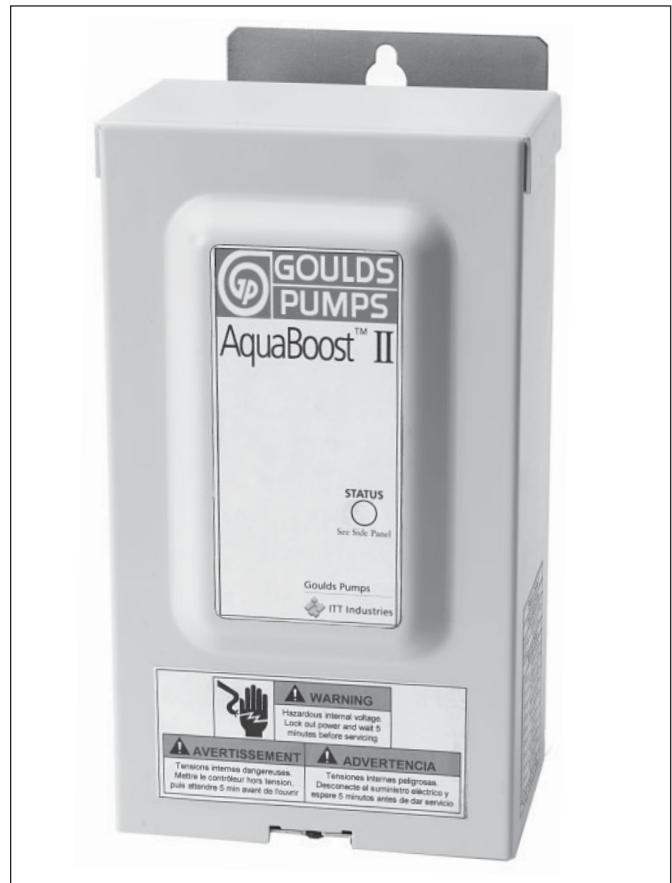
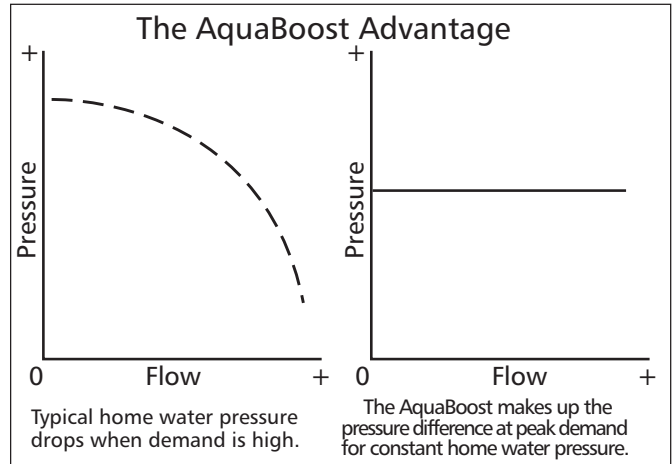
The AquaBoost II is available with a range of flow rates to handle homes with up to four baths, irrigation, filtration and fire suppression systems. The AquaBoost II is available as either a separate controller or as part of a complete pump package with everything you need to plumb it to a domestic water line.



COMPONENTS

1AB2 — 4.2 Amp AquaBoost II controller, wall mount set, transducer, pre-wired. (Pump and tank not included.)

1AB2LB1035 — AquaBoost II controller, wall mount set, LB stainless steel jet pump, transducer, V6P tank, pressure gauge, discharge tee. Controller is pre-wired to the pump. Flows to 15 GPM.



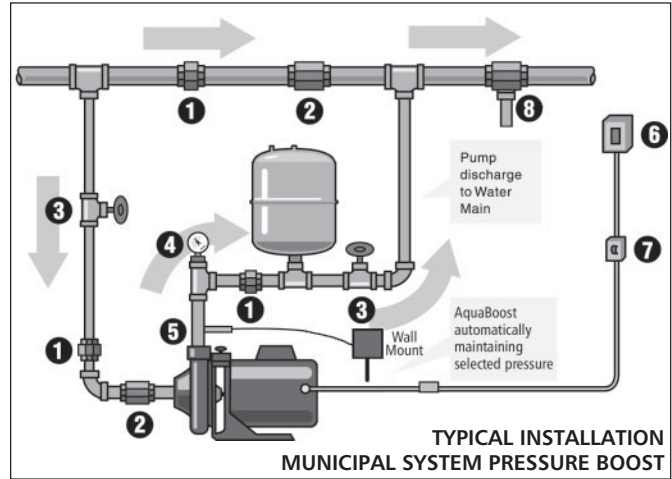
**Variable Speed
Constant Pressure Systems**

COMPONENTS (continued)

2AB2 — 6.9 Amp AquaBoost II controller, wall mount set, transducer, pre-wired. (Pump and tank not included.)

2AB21MC1F2B2 — AquaBoost II controller, wall mount set, MCC cast iron / stainless steel pump, transducer, V6P tank and pressure gauge. Controller is pre-wired. Flows to 27 GPM.

2AB21MC1G2A2 — AquaBoost II controller, wall mount kit, MCC cast iron / stainless steel pump, transducer, V6P tank and pressure gauge. Controller is pre-wired. Flows to 32 GPM.

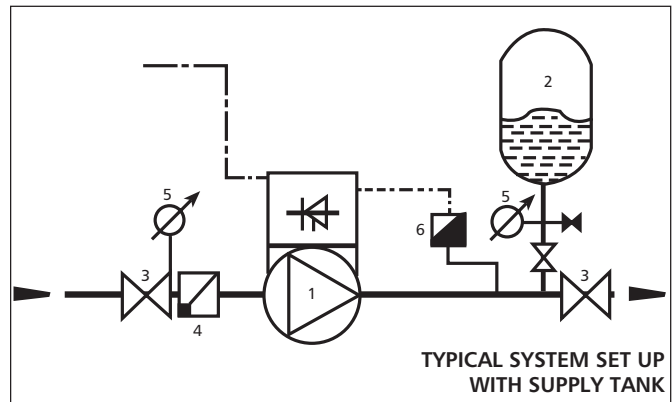


- | | |
|-------------------|-------------------------|
| ① Fitting | ⑤ Pressure Transducer |
| ② Check Valve | ⑥ Circuit Breaker |
| ③ Isolation Valve | ⑦ Line Disconnect |
| ④ Pressure Gauge | ⑧ Pressure Relief Valve |

1AB21HM1E2D0 — AquaBoost II controller, wall mount kit, HMS stainless steel pump, transducer, V6P tank and discharge pipe tee. Controller is pre-wired. Flows to 20 GPM.

1AB22HM1E2D0 — AquaBoost II controller, wall mount kit, HMS stainless steel pump, transducer, V6P tank, pressure gauge and discharge pipe tee. Controller is pre-wired. Flows to 37 GPM.

2AB22HM1F2E0 — AquaBoost II controller, wall mount kit, HMS stainless steel pump, transducer, V6P tank, pressure gauge and discharge pipe tee. Controller is pre-wired. Flows to 37 GPM.





- | | |
|----------------------------------|-----------------------|
| ① Pump with AquaBoost Controller | ④ Check Valves |
| ② Diaphragm Tank | ⑤ Pressure Gauges |
| ③ Gate Valves | ⑥ Pressure Transducer |

CAUTION AquaBoost System CANNOT be set above 85 psi, for the total discharge pressure (suction plus discharge).

**Variable Speed
Constant Pressure Systems**

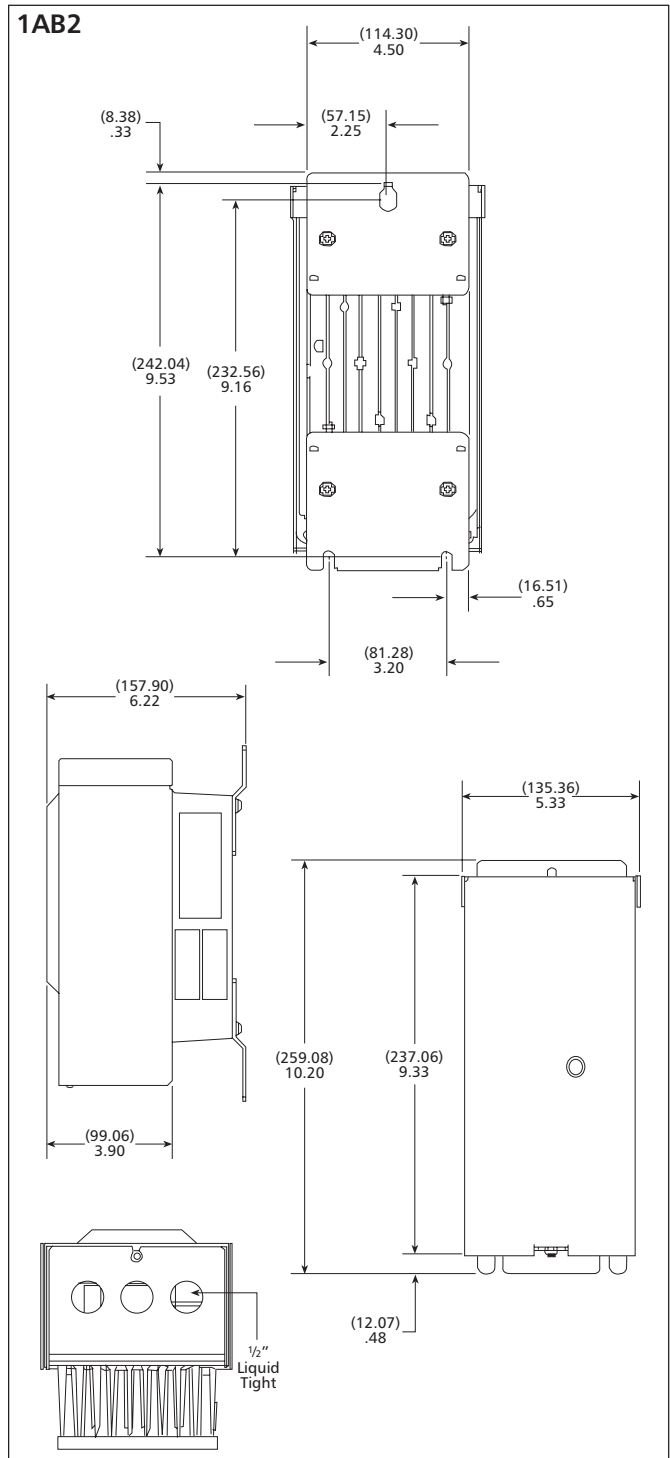
AQUABOOST CONTROLLER FEATURES

- Input Power* — 200-230V ± 15%, single phase (controller only)
 - Output Power — Up to 230V three phase (based on input voltage). Motor rated for 208-230V, ± 10%.
 - Maximum Output Current — 4.2 amps – 1AB2
— 6.9 amps – 2AB2
 - Input Controls — Up and down buttons to turn unit on and off and set pressure.
 - Signal Lights — Power on, pump running, inverter stopped, pump stopped, standby, faults/errors.
 - Electrical Efficiency — Over 95%
 - Protection Against — Short circuit, under voltage, overload, motor temperature, dead heading, run out, suction loss, sensor fault, bound pump, over voltage, static discharge. **Note:** Suction loss/run out is set for minimum 10 psi at discharge!
 - Ambient Temperature — 34° F to 104° F
 - Maximum Humidity — 95% at 104° F, non-condensing
 - Air Pollution — Avoid mounting in areas with excessive dust, acids, corrosives and salts.
 - Approvals —  
 - Controller Enclosure — NEMA 3R, IP 43 (Rain-tight)
 - Mounting — Wall mount with mounting hardware.
 - Cooling — Convection with heat sink.
 - Transducer — 0.5 - 4.5 VDC with 5 VDC power supply, 100 psi range, 80-inch 3-core cable.
 - Input Wire — 5 feet of 14 gauge cable. Cable is pre-wired to controller and junction box.
 - Output Wire — 10 feet of 14 gauge cable. Cable is pre-wired to controller and pump motor (when provided).
- *Low input voltage may affect motor operation.

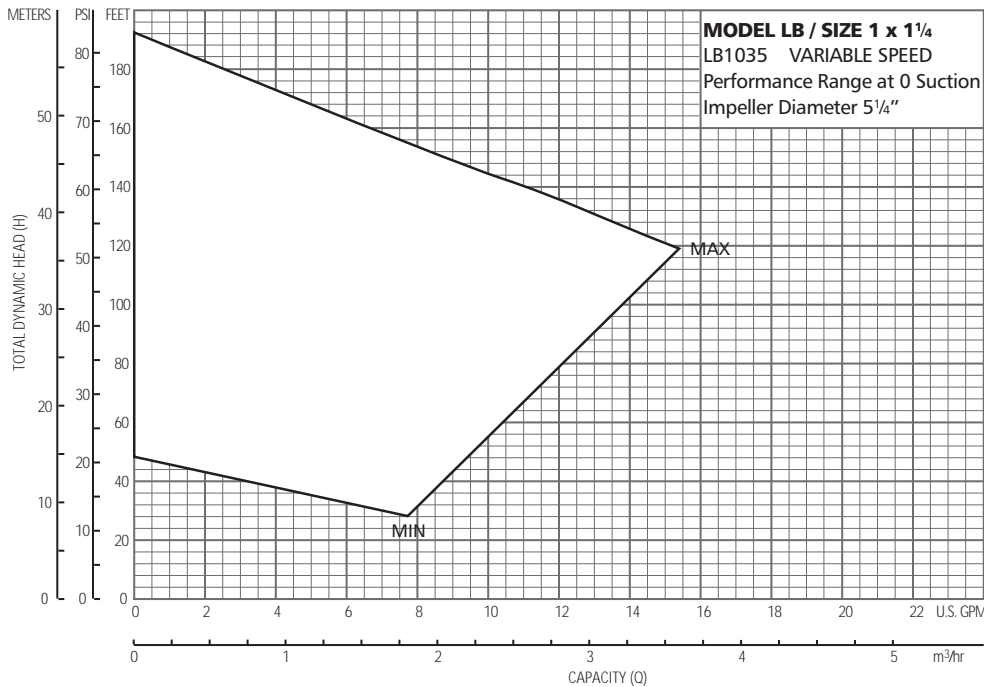
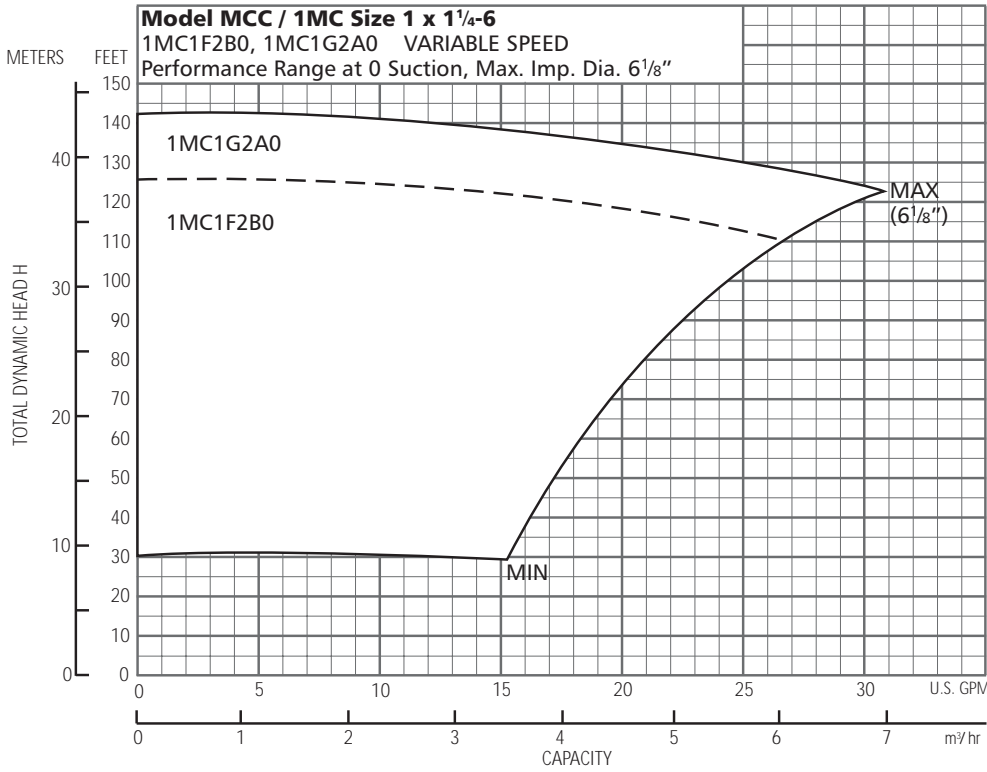
PRESSURE RANGE

Nominal Range — Field adjustable from 20 - 85 psi, total system pressure.

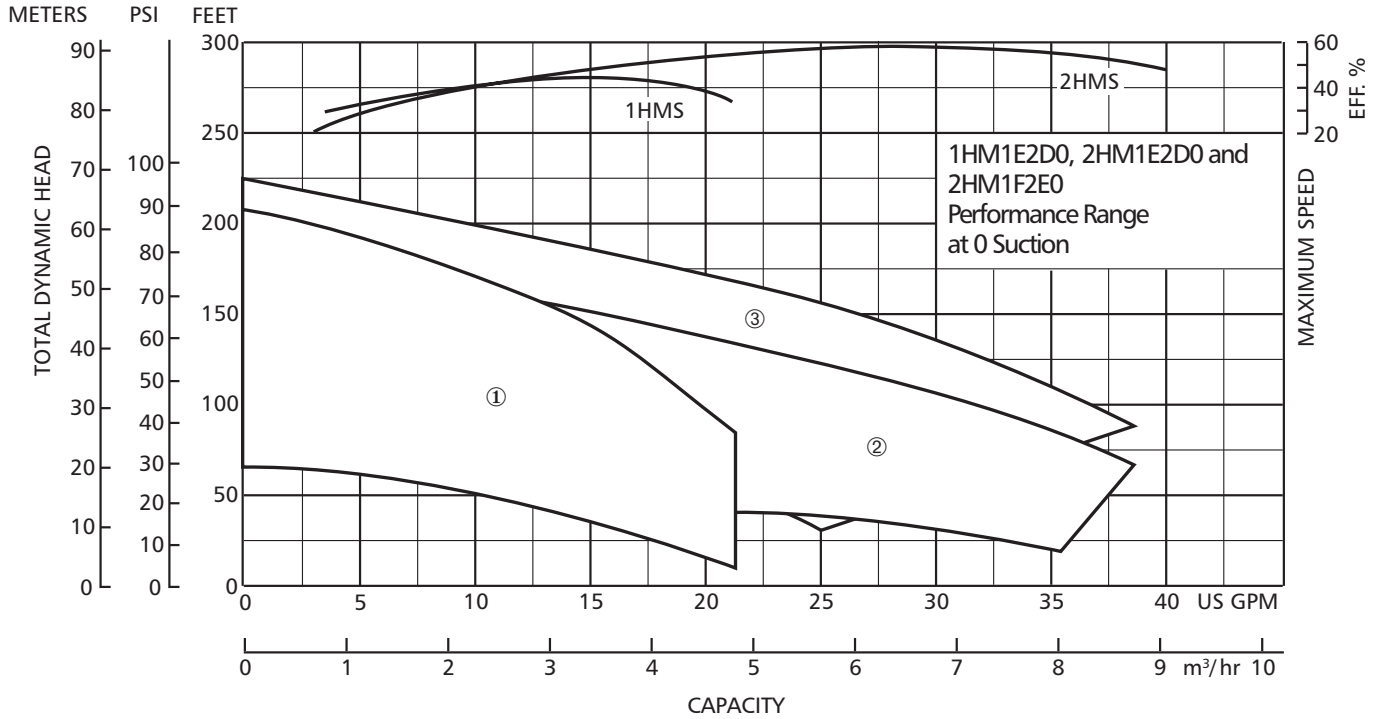
⚠ WARNING DO NOT SET REQUIRED SYSTEM PRESSURE ABOVE 85 PSI. SEVERE DAMAGE TO PLUMBING COULD RESULT.



**Variable Speed
Constant Pressure Systems**



Variable Speed
Constant Pressure Systems



- ① Curve represents pump model 1HM1E2D0.
- ② Curve represents pump model 2HM1E2D0.
- ③ Curve represents pump model 2HM1F2E0.

**Variable Speed
Constant Pressure Systems**

DIMENSIONS

LB PUMP (LB1035) WITH TANK AND TEE

Capacities — to 15 GPM

Pipe Connections — 1 x 1 1/4" NPT

Rotation — Right hand clockwise, viewed from motor end

Maximum Temperature of Water — 120° F

NOTE: Tank Liquid Temperature Limit is 120° F
Pump Liquid Temperature Limit is 140° F

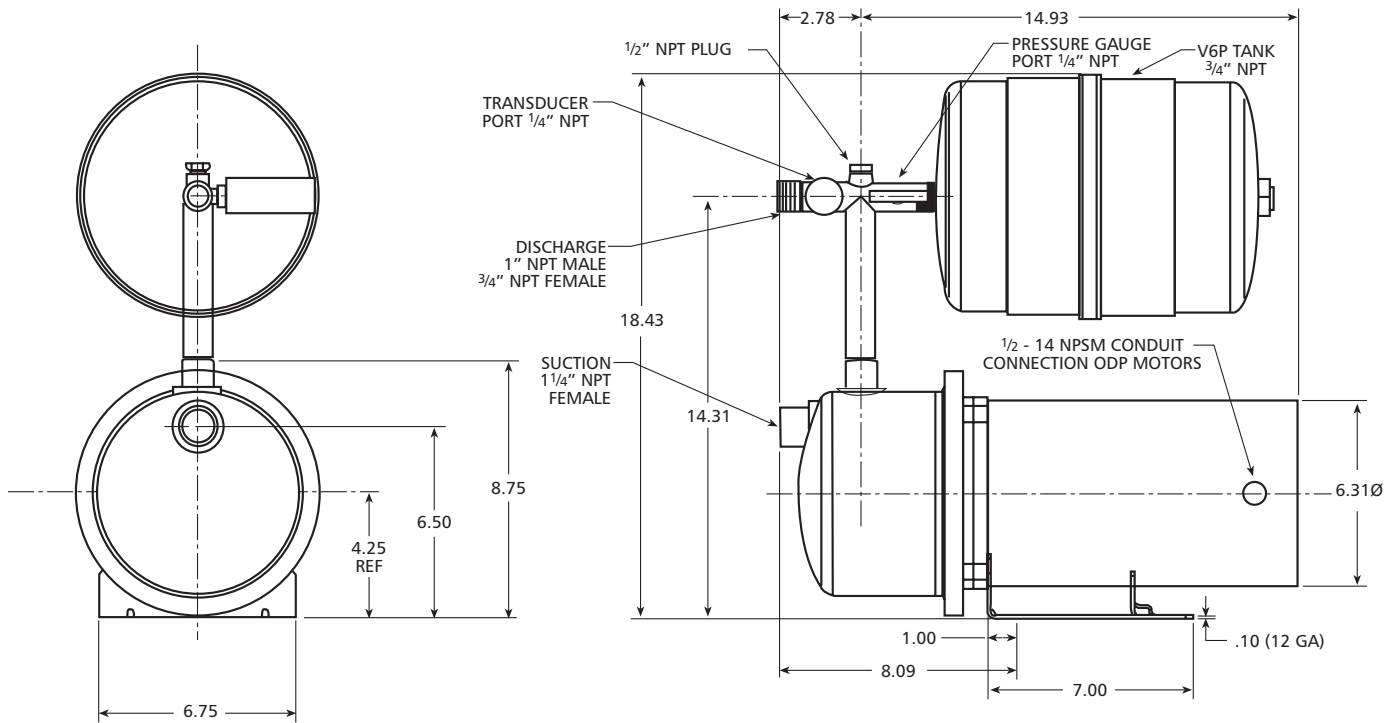
Materials — 304 stainless steel casing
Noryl impeller

Maximum System Working Pressure — 85 psi

Motor — 1 HP, ODP, Three Phase, 208-230/460V

Seal — Carbon / Silicon Carbide / EPR

*Overload protection, starters, heaters not required.
Dimensions are in inches.*



**Variable Speed
Constant Pressure Systems**

DIMENSIONS

MCC PUMP (1MC1G2A2 AND 1MC1F2B2) WITH TANK AND TEE

Capacity — to 32 GPM (1MC1G2A2)
— to 27 GPM (1MC1F2B2)

Rotation — Right hand clockwise, viewed from motor end

Materials — Cast iron casing
316 stainless steel impeller

Motor — 1½ HP, ODP, Three Phase, 208-230/460V
— 2 HP, ODP, Three Phase, 208-230/460V

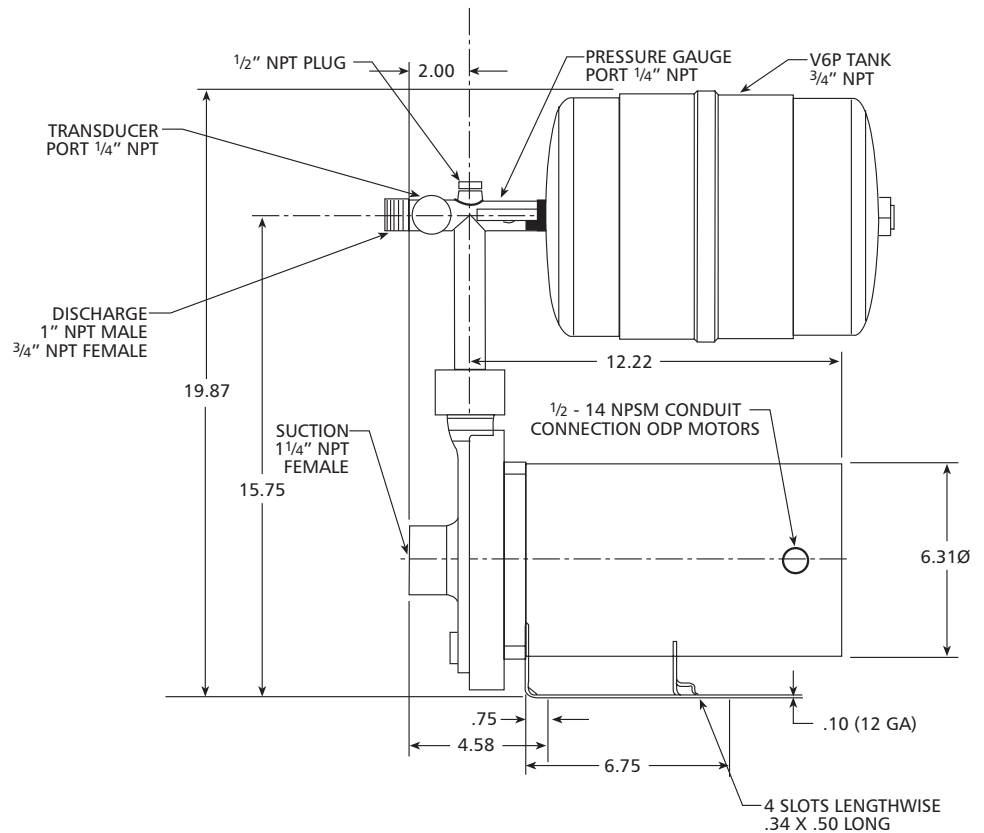
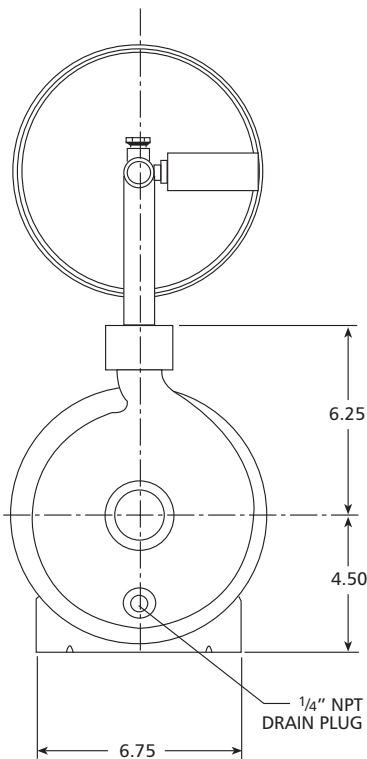
Pipe Connections — 1 x 1¼ NPT

Maximum Temperature of Water — 120° F
NOTE: Tank Liquid Temperature Limit is 120° F
Pump Liquid Temperature Limit is 212° F

Maximum System Working Pressure — 85 psi

Seal — Carbon / Silicon Carbide / EPR

*Overload protection, starters, heaters not required.
Dimensions are in inches.*



**Variable Speed
Constant Pressure Systems**

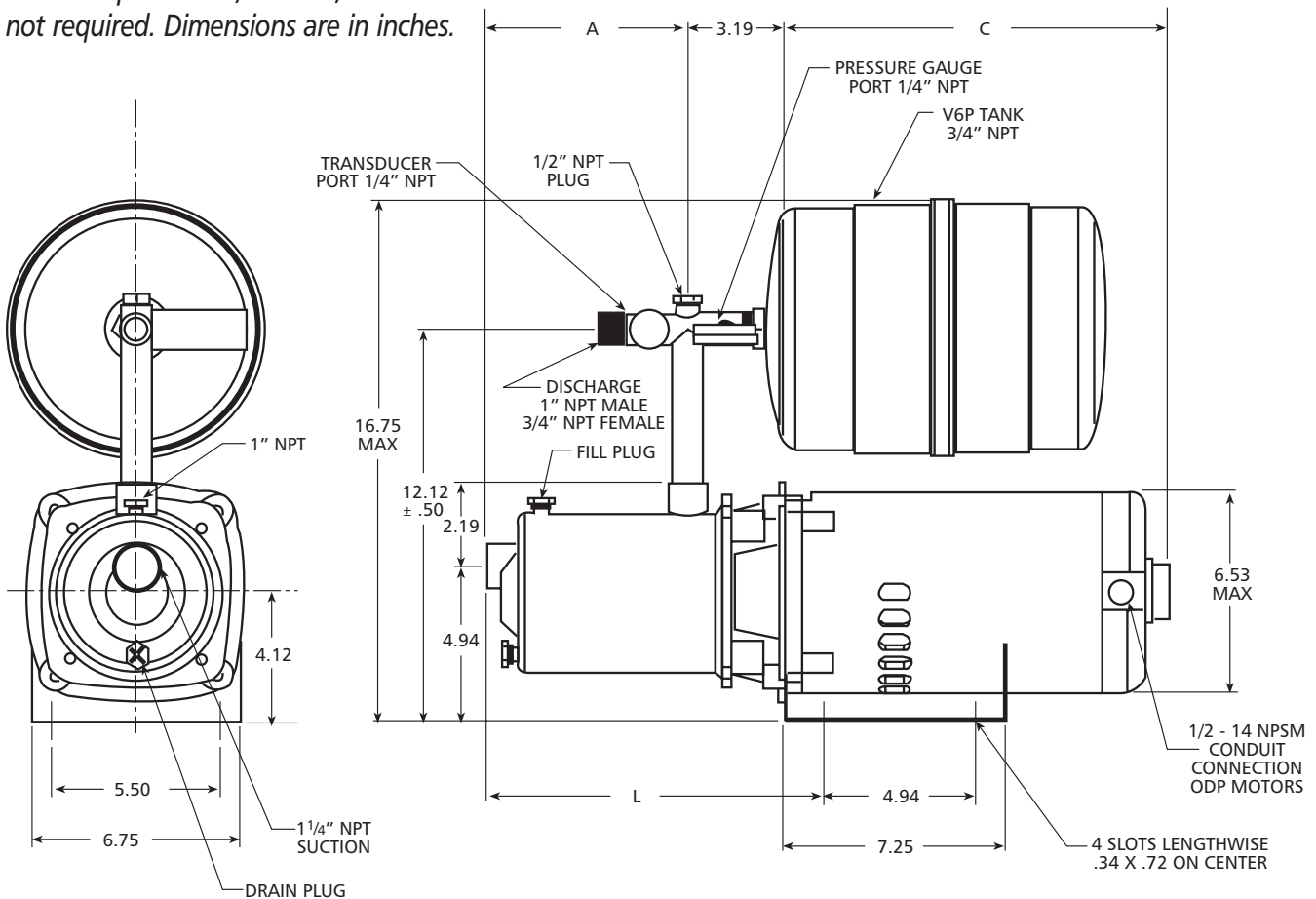
DIMENSIONS

HMS PUMPS (1HM1E2D0, 2HM1E2D0)

- Capacities — to 20 GPM (1HM)
to 38 GPM (2HM4/2HM5)
- Rotation — Right hand clockwise, viewed from motor end
- Materials — 316L stainless steel for all liquid handling components
- Motor — 1 HP, ODP, Three Phase, 208-230/460V (1HM/2HM4)
— 1.5 HP, ODP, Three Phase, 208-230/460V (2HMS5)

- Pipe Connections — 1 x 1 1/4" NPT
- Maximum Temperature of Water — 120° F
- NOTE: Tank Liquid Temperature Limit is 120° F
Pump Liquid Temperature Limit is 140° F
- Maximum System Working Pressure — 85 psi
- Seal — Carbon / Silicon Carbide / EPR

Overload protection, starters, heaters not required. Dimensions are in inches.



AQUABOOST	A	L	C	MOUNTING
1AB22HM1E2D0	5.75	10.75	11.62	View B
1AB21HM1E2D0	5.75	10.75	11.12	View A
2AB22HM1F2E0	6.73	11.75	11.62	View B

**Variable Speed
Constant Pressure Systems**

ALTERNATE PUMP MODELS FOR USE WITH 1AB2 CONTROLLER

MCC — 1/2, 3/4, 1 HP, 3 ph, ODP or TEFC motor versions
3642 — 1/3, 1/2, 1 HP, 3 ph, ODP or TEFC motor versions
GT073, GT103 — 3 ph, ODP or TEFC motor versions
HSC07, HSC10 — 3 ph, ODP or TEFC motor versions
HMS — 1/2, 3/4, 1 HP, 3 ph, ODP or TEFC motor versions
5GB, 7GB — 1/2, 3/4, 1 HP, 3 ph, ODP or TEFC motor versions
NPE — 1/2, 3/4, 1 HP, 3 ph, ODP or TEFC motor versions
NPO — 1/2, 3/4, 1 HP, 3 ph, ODP or TEFC motor versions
MCS — 1/2, 3/4, 1 HP, 3 ph, ODP or TEFC motor versions
ICS — 1/2, 3/4, 1 HP, 3 ph, ODP or TEFC motor versions
LB — 1/2 and 3/4 HP, 3 ph, ODP or TEFC motor versions

Submersible Pumps — Additional, external load filters and programming required. Consult factory.

Note: These pumps are not currently offered as a packaged kit, from Goulds Pumps.

All units require three phase motors.

Size pumps and controllers according to service factor amps of the motor.

ALTERNATE PUMP MODELS FOR USE WITH 2AB2 CONTROLLER

3642 — 1 1/2, 2 HP, 3 ph, ODP or TEFC motor versions
GT — 1 1/2, 2 HP, 3 ph, ODP or TEFC motor versions
HSC — 1 1/2, 2 HP, 3 ph, ODP or TEFC motor versions
HMS — 1 1/2 HP, 3 ph, ODP or TEFC motor versions
10GB — 1 1/2, 2 HP, 3 ph, ODP or TEFC motor versions
NPE — 1 1/2, 2 HP, 3 ph, ODP or TEFC motor versions
NPO — 1 1/2, 2 HP, 3 ph, ODP or TEFC motor versions
MCS — 1 1/2, 2 HP, 3 ph, ODP or TEFC motor versions
ICS — 1 1/2, 2 HP, 3 ph, ODP or TEFC motor versions

Note: These pumps are not currently offered as a packaged kit, from Goulds Pumps.

All units require three phase motors.

Size pumps and controllers according to service factor amps of the motor.

Variable Speed Constant Pressure Systems

PACKAGED HARDWARE WITHOUT PUMP AND MOTOR (SEE PRICING PAGE)

KIT INCLUDES:

- 1.) Tank – V6P
- 2.) Bronze Discharge Tee – AV 20-6
- 3.) Pipe Plug – 1/2", 6K68
- 4.) Pressure Gauge – AG5

Variable Speed

Constant Pressure Systems

NOTES
