

EXAMPLE MODEL NUMBER

SSVLD-613-2-A15463-2SVB9T-AFSFD

PUMP TYPE
SSV SERIES
VERTICAL
MULTISTAGE

SKID SIZE
L-LARGE

NUMBER OF PUMPS
D-DUPLEX

MANIFOLDS
3-3" (≤115 GPM)
4-4" (≤200 GPM)
6-6" (≤750 GPM)

FLANGE CONNECTIONS
11-CLASS 150 SUCTION/
CLASS 150 DISCHARGE

13-CLASS 150 SUCTION/
CLASS 300 DISCHARGE

OPTIONS
EX. A - ALARM PACKAGE
FS - SUCTION FLEX CONNECTOR
FD - DISCHARGE FLEX CONNECTOR
SEE OPTION TABLE BELOW

MOTOR ENCLOSURE
T - TEFC
O - ODP

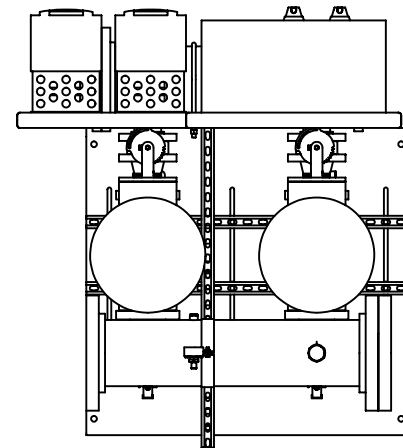
PUMP MODEL
EX. 2SVB-9
*** NOTE THIS DRAWING IS ONLY VALID FOR 5SVB - 6 SVB PUMPS**

PHASE
3 - 3Φ

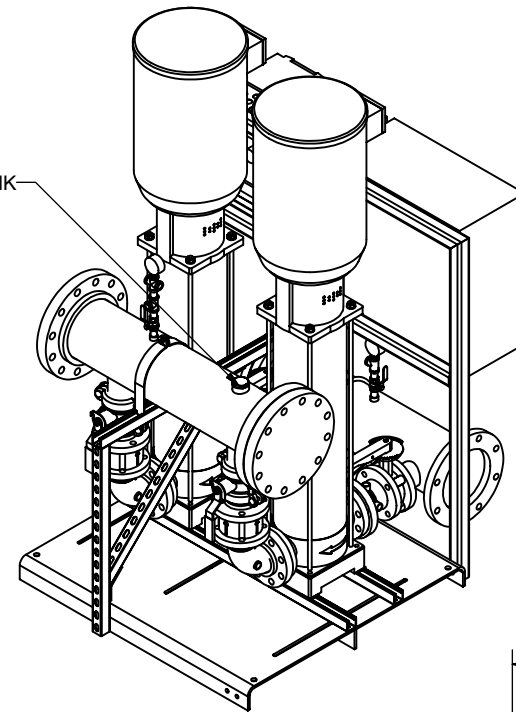
VOLTAGE
28 - 208V
23 - 230V
46 - 460V

HORSPOWER

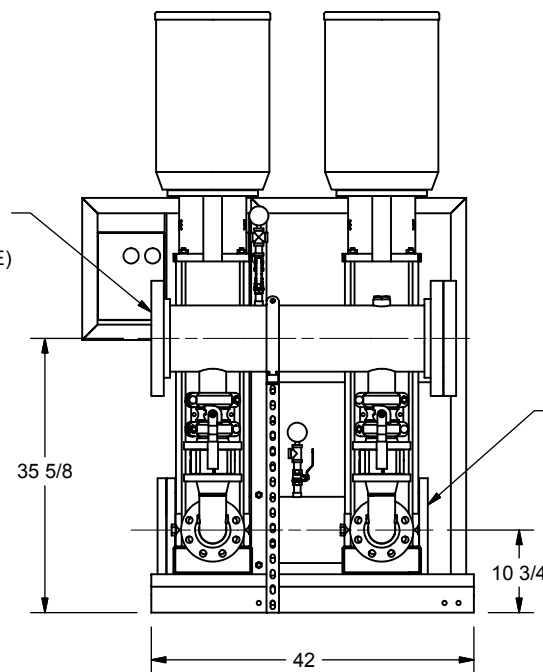
AQUAVAR CONTROLLER
B - AVII



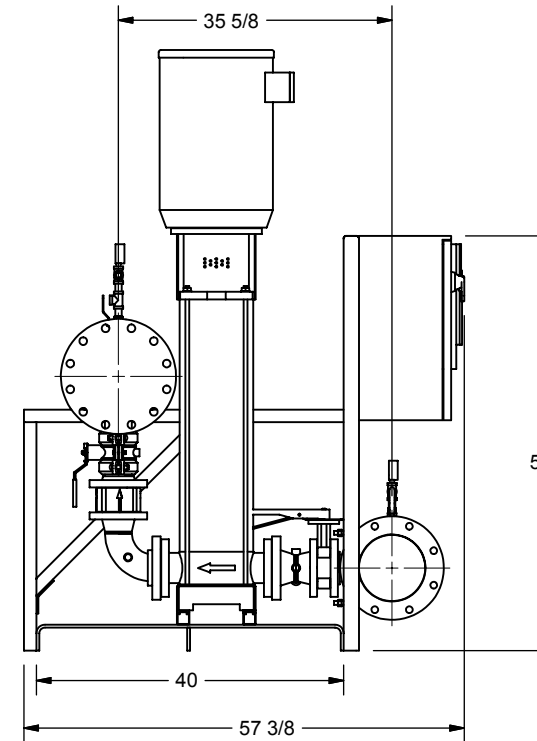
1 1/2" NPT TANK CONNECTION



DISCHARGE CONNECTION (RAISED FACE)



SUCTION CONNECTION (RAISED FACE)



OPTIONS	
A	ALARM PACKAGE (RUN INDICATOR LIGHTS, PUMP FAILURE LIGHTS, ALARM HORN)
C	LIGHTNING ARRESTOR
D	SUCTION PRESSURE SWITCH
E	HIGH TEMP RELIEF VALVE ASSEMBLY
FS	FLEX CONNECTOR (SUCTION MANIFOLD CLASS 150)
FD	FLEX CONNECTOR (DISCHARGE MANIFOLD CLASS 150 OR CLASS 300)

NOTES:

1. STATION CONDITION POINT: _____ GPM @ _____ PSI
2. SUCTION PRESSURE _____ MIN _____ MAX.
3. ALLOW 5 PSI LOSSES THROUGH SYSTEM.
4. MANIFOLDS FLANGED BOTH ENDS TO ALLOW FOR CONNECTION TO EITHER END.
5. 48" CLEARANCE (CLEAR TO GROUND) REQUIRED IN FRONT OF CONTROL PANELS PER 2002 NEC TABLE 110-23(a) CATEGORY 3; USER ASSUMES ALL RESPONSIBILITY FOR EVALUATION OF SITE CONDITIONS IF USING CATEGORY 1 OR 2 CLEARANCES.
6. ALLOW 24" SERVICE CLEARANCE AROUND SYSTEM; ALLOW 12" ABOVE SYSTEM FOR REMOVAL OF MOTOR.
7. ALL DIMENSIONS ± 1/2".
8. DO NOT USE FOR CONSTRUCTION PURPOSES UNLESS CERTIFIED.

REV	ZONE	ID	DESCRIPTION	REV	ZONE	ID	DESCRIPTION	REV	ZONE	ID	DESCRIPTION

UNITS: INCHES
GENERAL TOLERANCES UNLESS NOTED OTHERWISE: INCHES: X.XX .020 X.X .50 X.XXX .005 X.XX .125 MILLIMETERS: X.X .50 X.XX .125
ANGLES ALL .5
GEOMETRIC TOLERANCES IN ACCORDANCE WITH ASME Y14.5M-1994 AND APPLICABLE GOULDS STANDARDS
THIRD ANGLE PROJECTION

DO NOT SCALE DRAWING

THIS DRAWING IS THE PROPERTY OF GOULDS PUMPS / ITT IND. SENECA FALLS, NY, USA AND SHALL NOT, EXCEPT UPON PRIOR WRITTEN PERMISSION OF GOULDS PUMPS / ITT IND., BE USED FOR ANY PURPOSE OTHER THAN THE MANUFACTURE OF ARTICLES FOR GOULDS PUMPS / ITT IND. DWG TO BE RETURNED UPON REQUEST.

// PARALLELISM
 ⊥ PERPENDICULARITY
 ∠ ANGULARITY
 ⊕ TRUE POSITION
 ↗ TOTAL RUN OUT (TIR)
 ○ CONCENTRICITY
 ▭ FLATNESS
 ▽ PROFILE

SMVT DUPLEX AVII LARGE

PART		SIZES	
MODEL(S)			
DRAWN	DATE	APPROVED	DATE
M. MARTINEZ	10/10/2003		
CAD	DRAWING	REV	
AutoCAD	SMVT DUPLEX AVII LARGE		
PATTERN	MATERIAL	VOLUME	SHEET
			1 of 1

Model:

Model Rev:

Release Level:

Date: