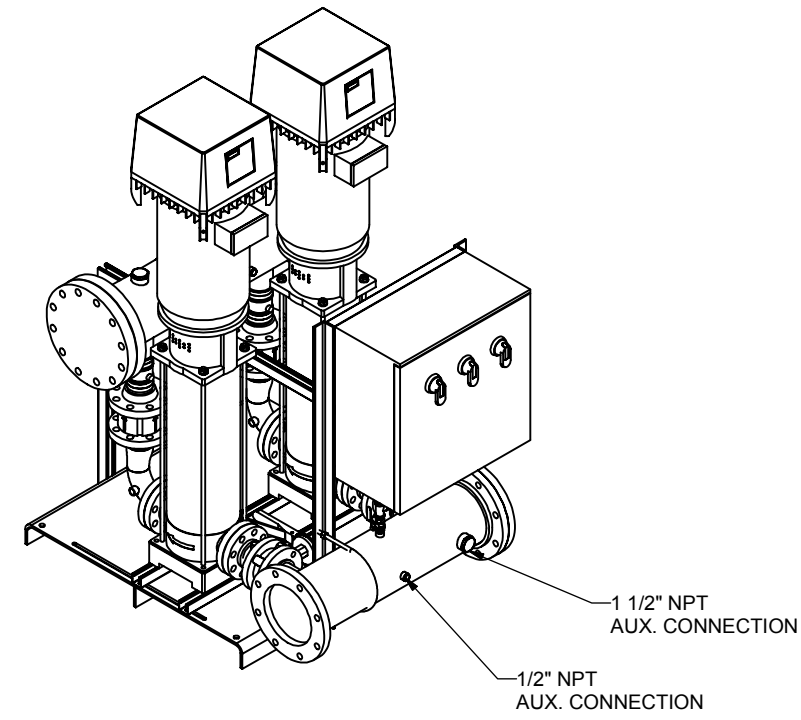
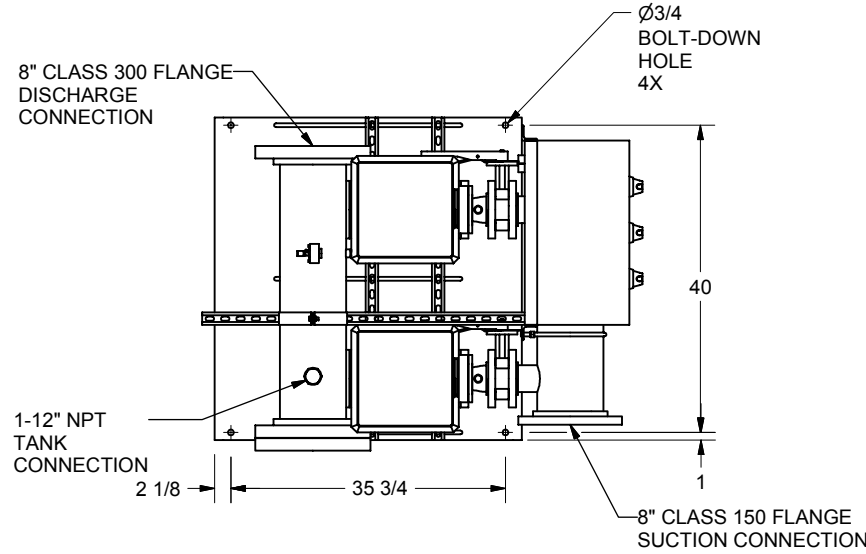
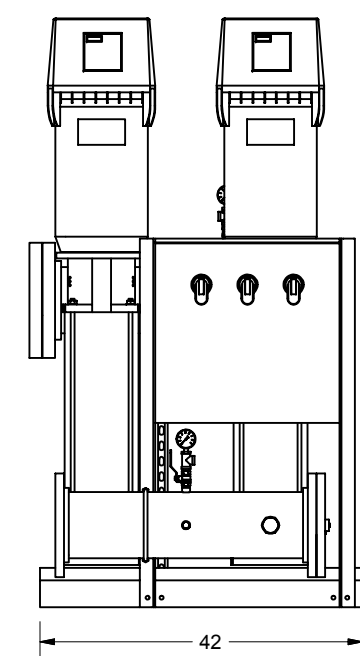
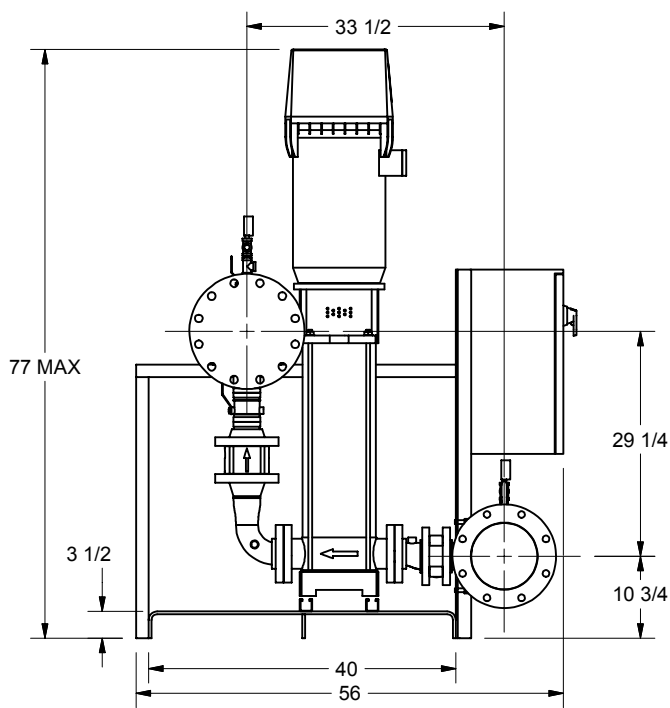


MODEL	PUMP	STG	HP	POWER	APPROX. WEIGHT (LBS)
5SVB3A1	5SVB1N5E0	5	20	460V / 3Φ	2549
5SVB3C1	5SVB1Q5H0	8	30	460V / 3Φ	2934



OPTIONS	
A	ALARM PACKAGE (RUN INDICATOR LIGHTS, PUMP FAILURE LIGHTS, ALARM HORN)
C	LIGHTING ARRESTOR
D	SUCTION PRESSURE SWITCH
E	HIGH TEMP RELIEF VALVE ASSEMBLY
F	FLEX CONNECTORS



EXAMPLE MODEL NUMBER

5SVB2C1-AC

BASIC MODEL NUMBER

OPTIONS:
A - ALARM PACKAGE
C - LIGHTING ARRESTOR

- NOTES:
1. STATION FLOW : _____ GPM
MIN. SUCTION PRESSURE _____ + BOOST _____ = DISCHARGE PRESSURE: _____ PSI
 2. ALLOW 5 PSI LOSSES THROUGH SYSTEM.
 3. MANIFOLDS FLANGED BOTH ENDS TO ALLOW FOR CONNECTION TO EITHER END.
 4. 48" CLEARANCE (CLEAR TO GROUND) REQUIRED IN FRONT OF CONTROL PANELS PER 2002 NEC TABLE 110-23(a) CATEGORY 3; USER ASSUMES ALL RESPONSIBILITY FOR EVALUATION OF SITE CONDITIONS IF USING CATEGORY 1 OR 2 CLEARANCES.
 5. ALLOW 24" MIN. SERVICE CLEARANCE AROUND SYSTEM; ALLOW 24" MIN ABOVE SYSTEM FOR MOTOR REMOVAL.
 6. ALL DIMENSIONS +/- 1/2".
 7. NOT TO BE USED FOR CONSTRUCTION PURPOSES UNLESS CERTIFIED.

REV	ZONE	ID	DESCRIPTION	REV	ZONE	ID	DESCRIPTION	REV	ZONE	ID	DESCRIPTION

UNITS: INCHES

DO NOT SCALE DRAWING

THIS DRAWING IS THE PROPERTY OF GOULDS PUMPS / ITT IND. SENECA FALLS, NY, USA AND SHALL NOT, EXCEPT UPON PRIOR WRITTEN PERMISSION OF GOULDS PUMPS / ITT IND., BE USED FOR ANY PURPOSE OTHER THAN THE MANUFACTURE OF ARTICLES FOR GOULDS PUMPS / ITT IND. DWG TO BE RETURNED UPON REQUEST.

GENERAL TOLERANCES UNLESS NOTED OTHERWISE:

INCHES: .020
MILLIMETERS: .50

ANGLES ALL .5

GEOMETRIC TOLERANCES IN ACCORDANCE WITH ASME Y14.5M-1994 AND APPLICABLE GOULDS STANDARDS

THIRD ANGLE PROJECTION

// PARALLELISM
 ⊥ PERPENDICULARITY
 ∠ ANGULARITY
 ⊕ TRUE POSITION
 ↗ TOTAL RUN OUT (TIR)
 ⊙ RUN OUT
 ⊙ CONCENTRICITY
 ▭ FLATNESS
 ▭ PROFILE

PART

MODEL(S)

SIZES

DRAWN	DATE	APPROVED	DATE	ORDER
MarkMartinez	3/27/2003			

CAD

DRAWING

REV

PATTERN

MATERIAL

VOLUME

SCALE NTS

SHEET 1 of 1