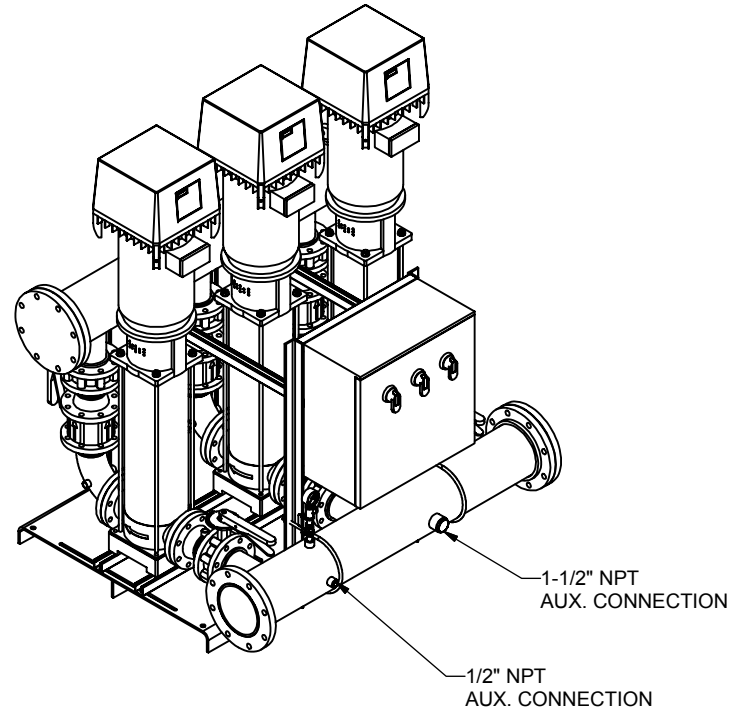
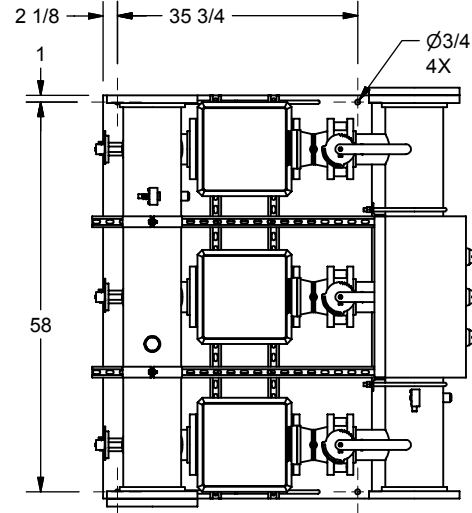
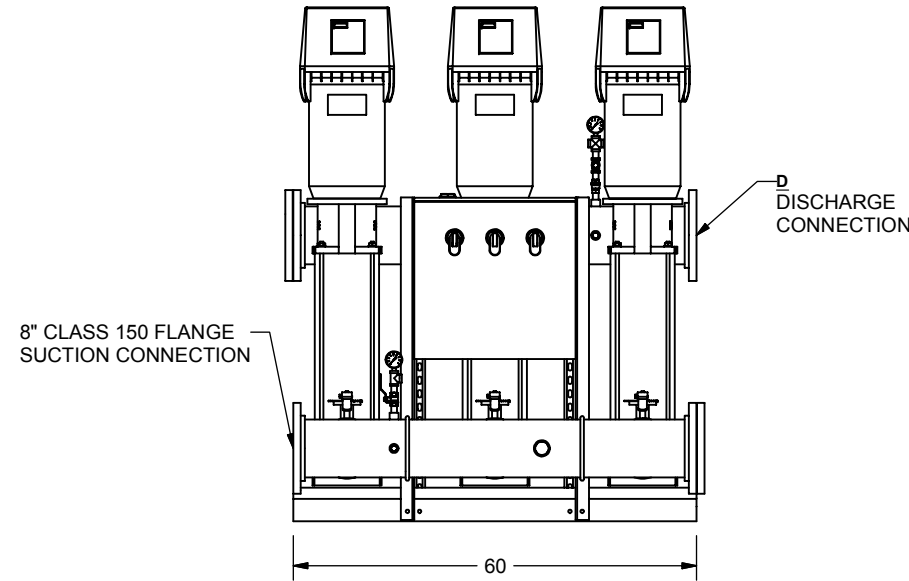
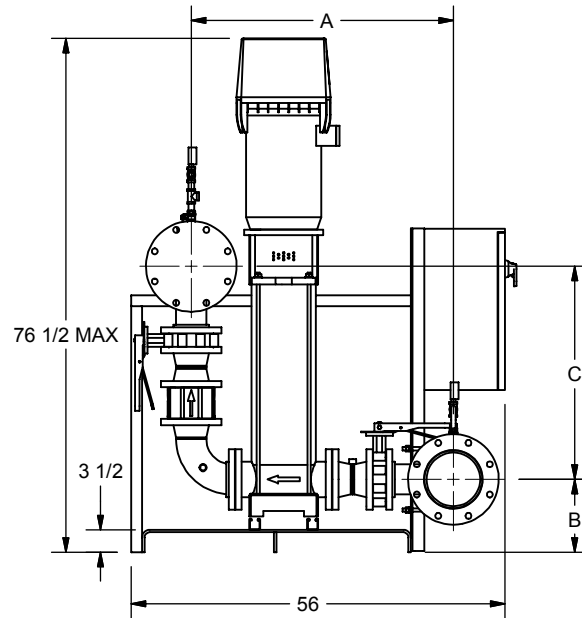


	MODEL	PUMP	STG	HP	POWER	A	B	C	D
	5SVB3C1	5SVB 1Q5H0	8	30	460V / 3Φ	33 1/2	10 3/4	29 1/4	8" CLASS 300
	5SVB3A1	5SVB 1N5E0	5	20	460V / 3Φ	33 1/2	10 3/4	29 1/4	8" CLASS 300
	6SVB3B1	6SVB 1Q5E0AQ	5	30	460V / 3Φ	39	10 7/8	31 3/4	8" CLASS 150
	6SVB3A1	6SVB 1P5D0AQ	4	25	460V / 3Φ	39	10 7/8	31 3/4	8" CLASS 150



OPTIONS	
A	ALARM PACKAGE (RUN INDICATOR LIGHTS, PUMP FAILURE LIGHTS, ALARM HORN)
C	LIGHTING ARRESTOR
D	SUCTION PRESSURE SWITCH
E	HIGH TEMP RELIEF VALVE ASSEMBLY
F	FLEX CONNECTORS

EXAMPLE MODEL NUMBER
6SVB3A1-AC
 BASIC MODEL NUMBER: 6SVB3A1
 OPTIONS: A - ALARM PACKAGE, C - LIGHTING ARRESTOR



NOTES:

- STATION FLOW : _____ GPM
 MIN. SUCTION PRESSURE _____ + BOOST _____ = DISCHARGE PRESSURE: _____ PSI
- ALLOW 5 PSI LOSSES THROUGH SYSTEM.
- MANIFOLDS FLANGED BOTH ENDS TO ALLOW FOR CONNECTION TO EITHER END.
- 48" CLEARANCE (CLEAR TO GROUND) REQUIRED IN FRONT OF CONTROL PANELS PER 2002 NEC TABLE 110-23(a) CATEGORY 3; USER ASSUMES ALL RESPONSIBILITY FOR EVALUATION OF SITE CONDITIONS IF USING CATEGORY 1 OR 2 CLEARANCES.
- ALLOW 24" MIN. SERVICE CLEARANCE AROUND SYSTEM; ALLOW 24" ABOVE SYSTEM FOR MOTOR REMOVAL.
- ALL DIMENSIONS ± 1/2".
- NOT TO BE USED FOR CONSTRUCTION PURPOSES UNLESS CERTIFIED.

REV	ZONE	ID	DESCRIPTION	REV	ZONE	ID	DESCRIPTION	REV	ZONE	ID	DESCRIPTION

UNITS: INCHES

DO NOT SCALE DRAWING

GENERAL TOLERANCES UNLESS NOTED OTHERWISE:
 INCHES: .020
 MILLIMETERS: .50

ANGLES ALL .5

GEOMETRIC TOLERANCES IN ACCORDANCE WITH ASME Y14.5M-1994 AND APPLICABLE GOULDS STANDARDS

THIRD ANGLE PROJECTION

THIS DRAWING IS THE PROPERTY OF GOULDS PUMPS / ITT IND. SENECA FALLS, NY, USA AND SHALL NOT, EXCEPT UPON PRIOR WRITTEN PERMISSION OF GOULDS PUMPS / ITT IND., BE USED FOR ANY PURPOSE OTHER THAN THE MANUFACTURE OF ARTICLES FOR GOULDS PUMPS / ITT IND. DWG TO BE RETURNED UPON REQUEST.

// PARALLELISM
 ⊥ PERPENDICULARITY
 ∠ ANGULARITY
 ⊕ TRUE POSITION
 ↗ RUN OUT
 ↗ TOTAL RUN OUT (TIR)
 ⊙ CONCENTRICITY
 ▭ FLATNESS
 ▭ PROFILE

PART

MODEL(S) SIZES

DRAWN	DATE	APPROVED	DATE	ORDER
MarkMartinez	2/24/2003			

CAD: AutoCAD

PATTERN: MATERIAL VOLUME SCALE NTS SHEET 1 of 2

Model:

Model Rev:

Release Level:

Date: