



# SDS2

SINK DRAIN SYSTEM

### FEATURES

- Fully assembled (individually cartoned).
- Capable of running dry without damage to components.
- Severe duty rated oil and water resistant power cable.

### ASSEMBLED COMPONENTS

- SP035V, 1/3 HP, 3/8" solids handling pump.
- UL and CSA listed pump.
- 7 gallon polyethylene basin.
- 2" rubber grommet vent
- 1 1/2" threaded inlet and discharge.
- Translucent basin allows easy water level inspection.
- 1 1/2" schedule 40 PVC discharge pipe (internal).

### AGENCY LISTINGS



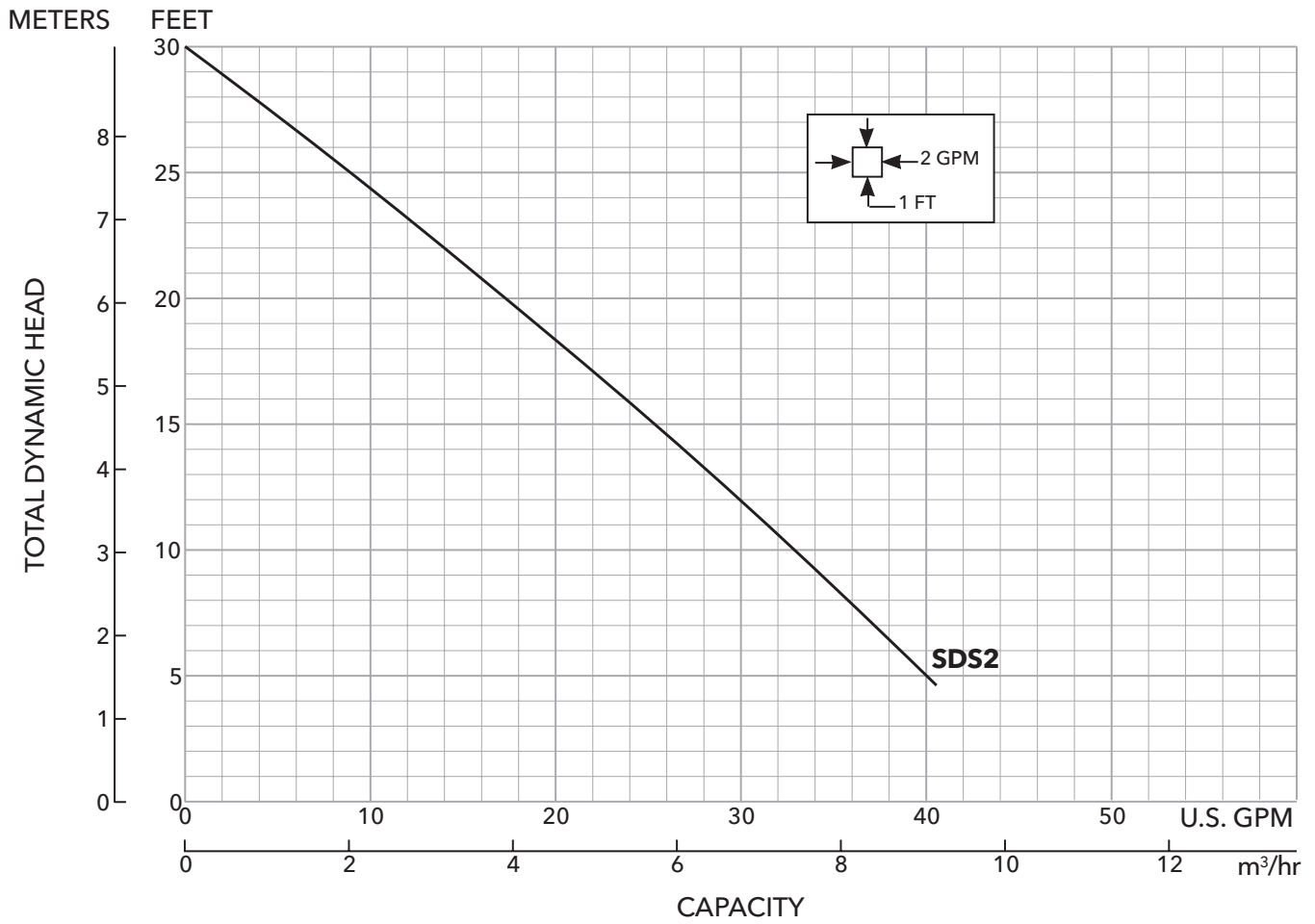
Tested to UL 778 and CSA 22.2 108 Standards  
By Canadian Standards Association  
File #LR38549

### APPLICATIONS

- Laundry tray
- Wet bar sink
- Air conditioning condensate or dehumidifier water
- Residential dishwashers
- Beautician sink

### SPECIFICATIONS

- 1/3 HP, 115 V, 1 PH, with 10' cord
- Maximum Amps: 3
- 3/8" maximum solids handling
- Capacities: up to 40 GPM
- Total heads: up to 30 feet
- Built in overload with automatic reset

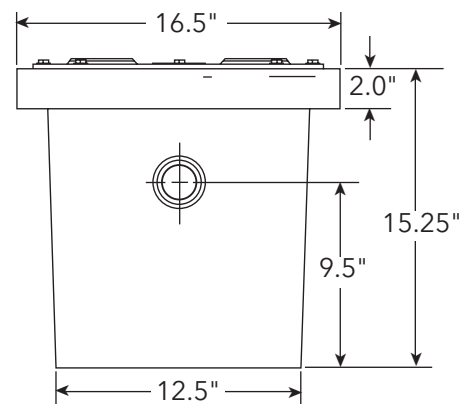


### PERFORMANCE RATINGS

Total Head (feet of water)	GPM
5	40
10	33
15	25
20	17
25	9

### DIMENSIONS

(All dimensions are in inches. Do not use for construction purposes.)



# Xylem |'zīləm|

- 1) The tissue in plants that brings water upward from the roots;
- 2) a leading global water technology company.

We're 12,500 people unified in a common purpose: creating innovative solutions to meet our world's water needs. Developing new technologies that will improve the way water is used, conserved, and re-used in the future is central to our work. We move, treat, analyze, and return water to the environment, and we help people use water efficiently, in their homes, buildings, factories and farms. In more than 150 countries, we have strong, long-standing relationships with customers who know us for our powerful combination of leading product brands and applications expertise, backed by a legacy of innovation.

**For more information on how Xylem can help you, go to [www.xyleminc.com](http://www.xyleminc.com)**



Xylem, Inc.  
2881 East Bayard Street Ext., Suite A  
Seneca Falls, NY 13148  
Phone: (866) 325-4210  
Fax: (888) 322-5877  
[www.xyleminc.com/brands/gouldswatertechnology](http://www.xyleminc.com/brands/gouldswatertechnology)

Goulds is a registered trademark of Goulds Pumps, Inc. and is used under license.  
© 2012 Xylem Inc. BSDS2 March 2012